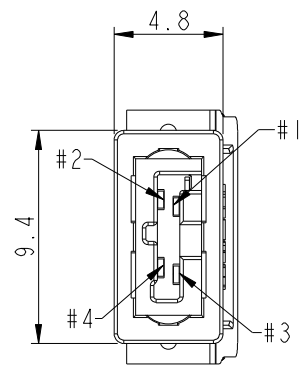
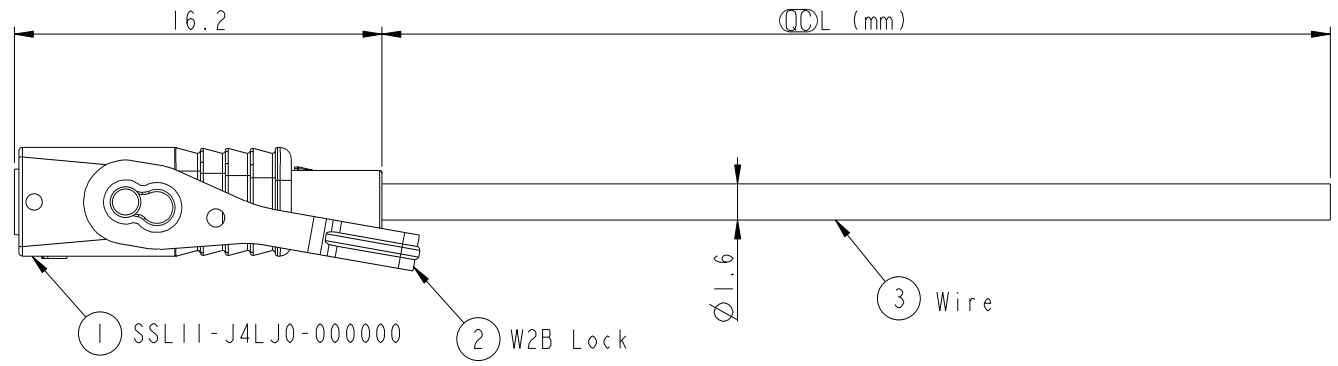
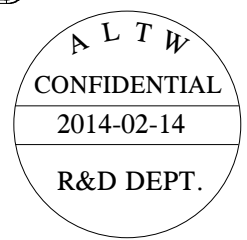
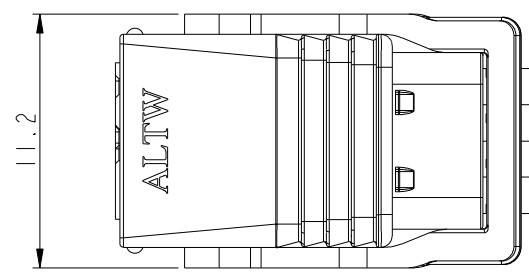


THIS DOCUMENT IS SUBJECT TO CHANGE WITHOUT NOTICE. IT IS CONFIDENTIAL AND A PROPERTY OF Amphenol LTW. DISCLOSURE TO THIRD PARTY HAS TO BE AUTHORIZED BY Amphenol LTW.

REV.	ECN NO.	DATE	SIGN	DESCRIPTION
A	Initial Release	2014-02-14	Fisher	Initial Release



Conn. 1



Brown
Red
Orange
Yellow

SSLII-J4LJ0-B22AXX

01: L=100±20 mm.
 02: L=200±20 mm.
 04: L=400±25 mm.
 Standard Length is 400mm
 Wire Length Range(L): 100~9900mm

22: 22AWG
 LOCK&LATCH OPTION
 B: WITH W2B LOCK

- Notes:
- * (C) Important Dimensions To Check.
 - * Housing: Thermoplastic, UL94V-0, Natural White.
 - * Terminal: Copper Alloy, Gold Plated.
 - * Hood: Thermoplastic, UL94V-0, Natural White.
 - * SR Mold: PP, UL94V-0, Natural White.
 - * W2B Lock: Thermoplastic, UL94V-0, Natural White.
 - * Wire: UL1430 22AWG, Brown/Red/Orange/Yellow
 - * Wire Length Tolerance: ±5%mm.

4	Yellow	黃
3	Orange	橙
2	Red	紅
1	Brown	棕
Conn. 1	Wire Color	
Pin Out		

UNIT:mm		
TOLERANCE	.X ±0.25	
	.XX ±0.1	
	.XXX ±0.05	
ANGLES	±1°	

TITLE SSLII WIRE ASS'Y, WITH W2B LOCK 4-POS, JACK TO OPEN			
SCALE	3:1	SIZE	A4
SHEET	1	OF	1
REV.	A	WC-REV.	A.12
CCL: Inspection item			

Amphenol LTW
 安費諾亮泰企業股份有限公司

ITEM NO	DRAWN BY	DATE
	Fisher_Wang	2014-02-14
DWG NO	CHECKED BY	DATE
SSLII-J4LJ0-B22AXX	Ivan_Lin	2014-02-14
CUSTOMER	APPROVED BY	DATE
ALTW	Kevin_Hu	2014-02-14