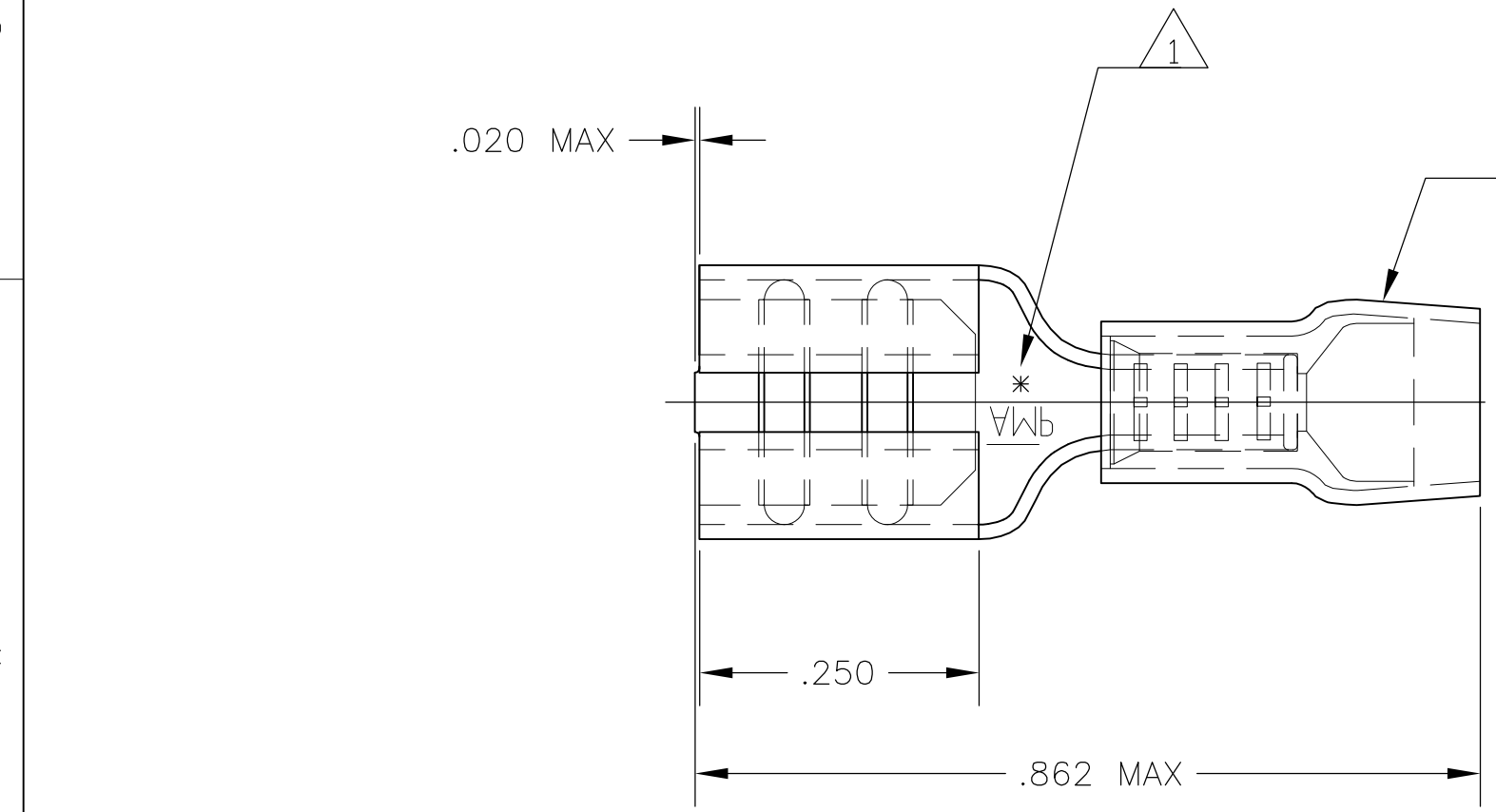
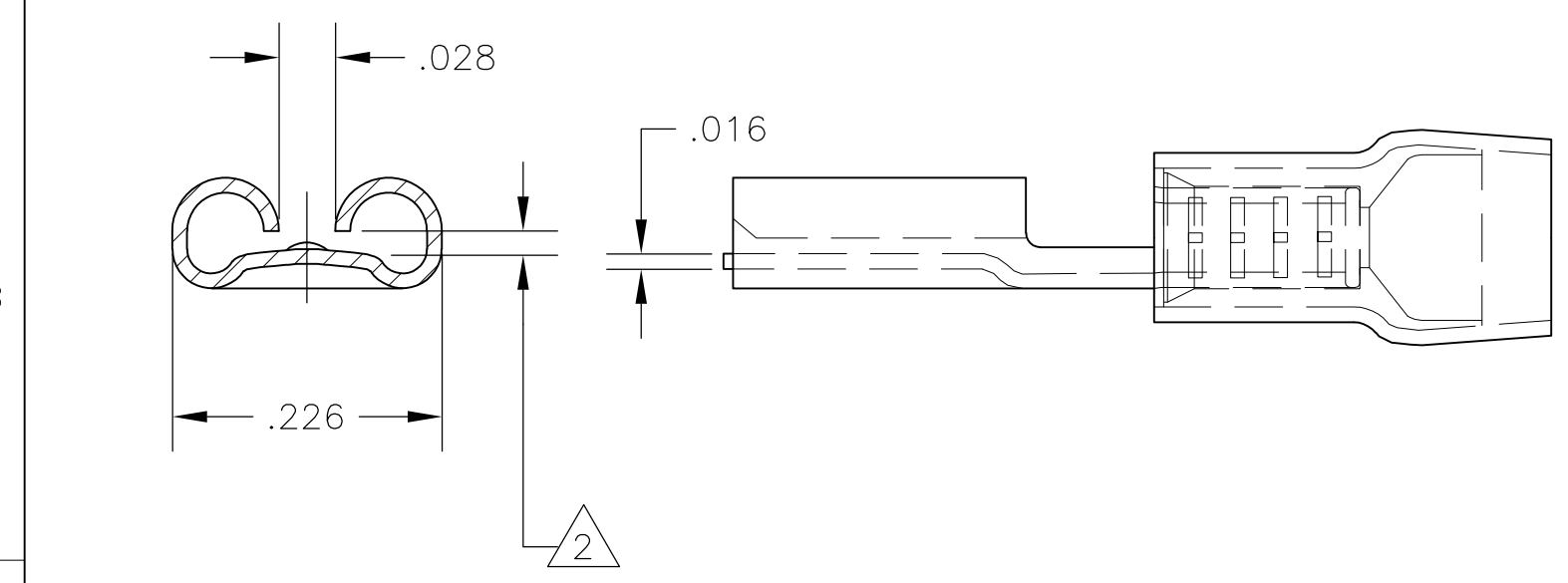


THIS DRAWING IS UNPUBLISHED. RELEASED FOR PUBLICATION
 © COPYRIGHT - By - ALL RIGHTS RESERVED.


LOC	DIST	REVISIONS			
P	LTR	DESCRIPTION	DATE	DWN	APVD
G	02	H2	REVISED PER ECO-11-005027	11MAR11	RK HMR



1 ASTERISK * FOR PHOS BRONZE ITEMS ONLY.
 2 MATES WITH A .031 THK TAB



9-160479-5 ON TAPE	5-160479-5	
9-160479-2 ON TAPE	5-160479-2	
TIN	PHOS BRONZE	9-160479-5
TIN	BRASS	9-160479-2
FINISH	MATERIAL	ORDER NO.

THIS DRAWING IS A CONTROLLED DOCUMENT.		DWN jr_ruth 21MAY04	 TE Connectivity	
DIMENSIONS: INCHES		CHK T MICHELUTTI 21MAY04		
TOLERANCES UNLESS OTHERWISE SPECIFIED:		APVD T MICHELUTTI 21MAY04	NAME FASTON RECEPTACLE, PIDG .187 SERIES WIRE SIZE: 16-14 AWG	
0 PLC ± - 1 PLC ± - 2 PLC ± - 3 PLC ± .005 4 PLC ± - ANGLES ± 5°		PRODUCT SPEC -	RESTRICTED TO -	
MATERIAL -		FINISH -	APPLICATION SPEC -	SIZE A3
		WEIGHT -	CAGE CODE 00779	DRAWING NO C-160479
CUSTOMER DRAWING			SCALE 1:1	SHEET 1 OF 1
			REV H2	