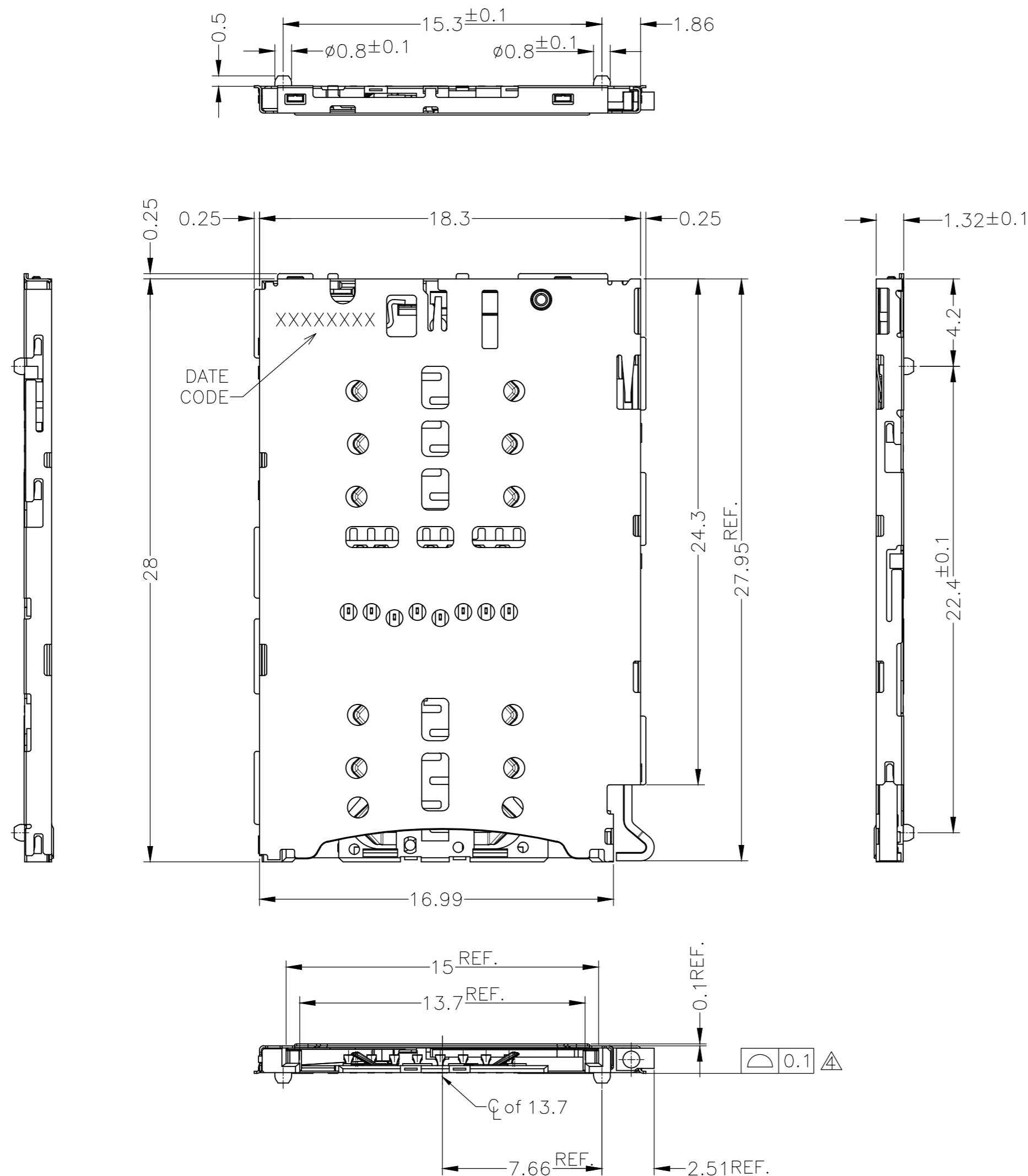


THIS DRAWING IS UNPUBLISHED. RELEASED FOR PUBLICATION
 © COPYRIGHT - By - ALL RIGHTS RESERVED.

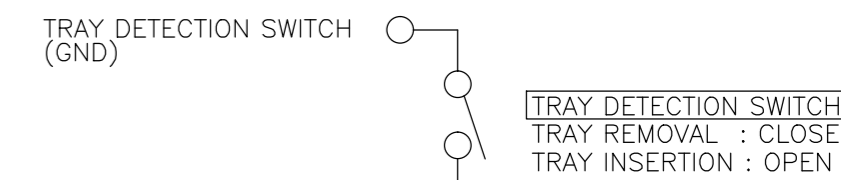
REVISIONS				
P	LTR	DESCRIPTION	DATE	APVD
C		REVISED	31MAY2016	J.T K.K



△ MATERIAL(PRELIMINARY):
 HOUSING: THERMO PLASTIC, COLOR:BLACK
 CONTACT : COPPER ALLOY
 SWITCH CONTACT : COPPER ALLOY
 SHELL : STAINLESS STEEL
 LATCH : STAINLESS STEEL
 LATCH MOLD : THERMO PLASTIC, COLOR:BLACK
 SLIDER : STAINLESS STEEL
 CAM : STAINLESS STEEL

△ FINISH:
 CONTACT : Ni UNDER PLATING
 SOLDERING AREA : Au PLATING
 CONTACT AREA : Au PLATING
 SWITCH CONTACT : Ni UNDER PLATING
 SOLDERING AREA : Au PLATING
 CONTACT AREA : Au PLATING
 SHELL : Ni UNDER PLATING
 SOLDERING AREA : Au PLATING

△ CAM, SLIDER MOVING AREA.
 △ COPLANARITY, INITIAL 0.1 MAX.
 △ CIRCUIT DRAWING OF SWITCH.



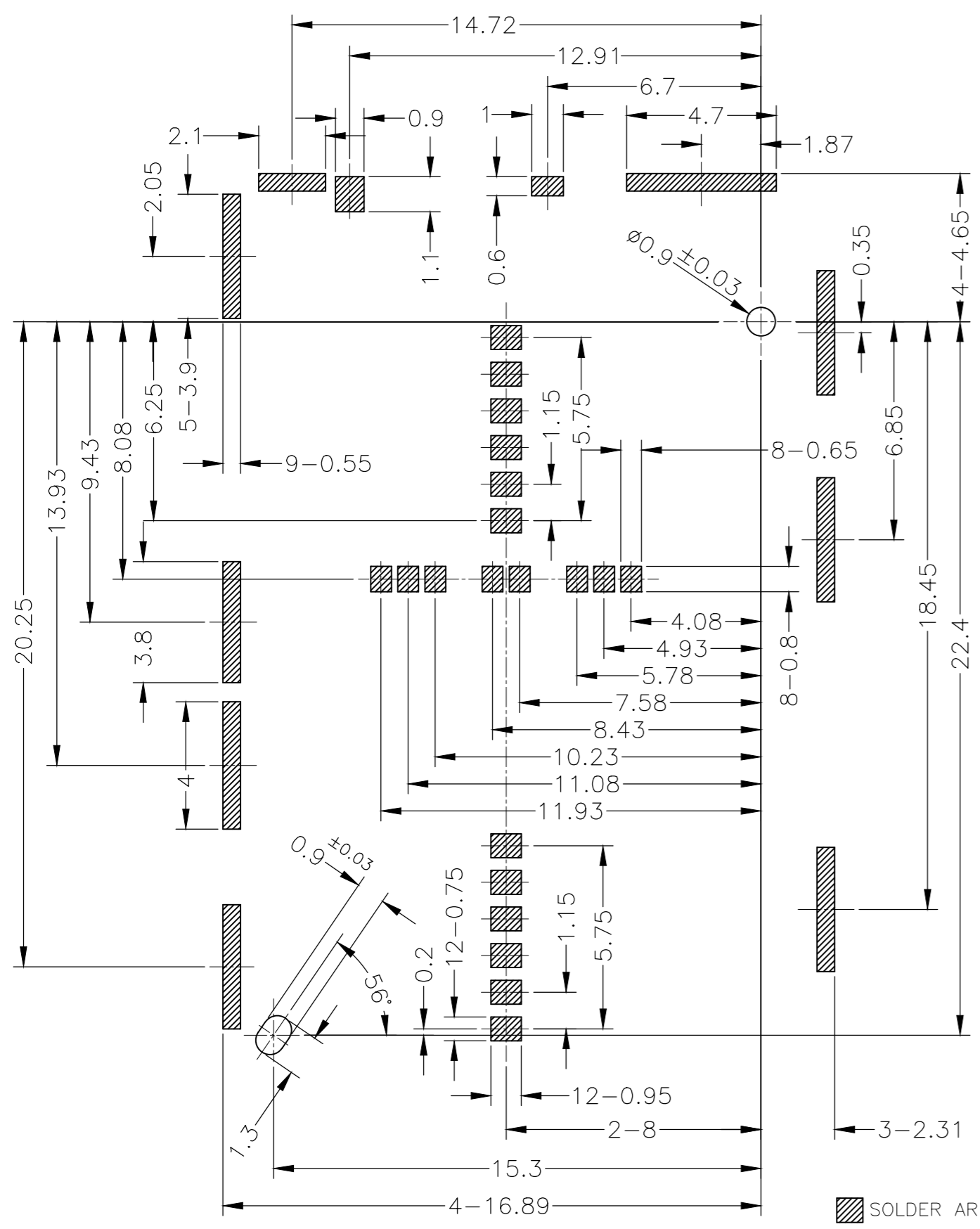
THIS DIAGRAM SHOWS TRAY INSERTION (OPEN) CONDITION

△ REFERENTIAL STENCIL DESIGN.
 THICKNESS:0.1mm
 OPENING RATIO: REFER TO SHEET 2
 150%(5 GND PADS)
 100%(OTHER PADS)

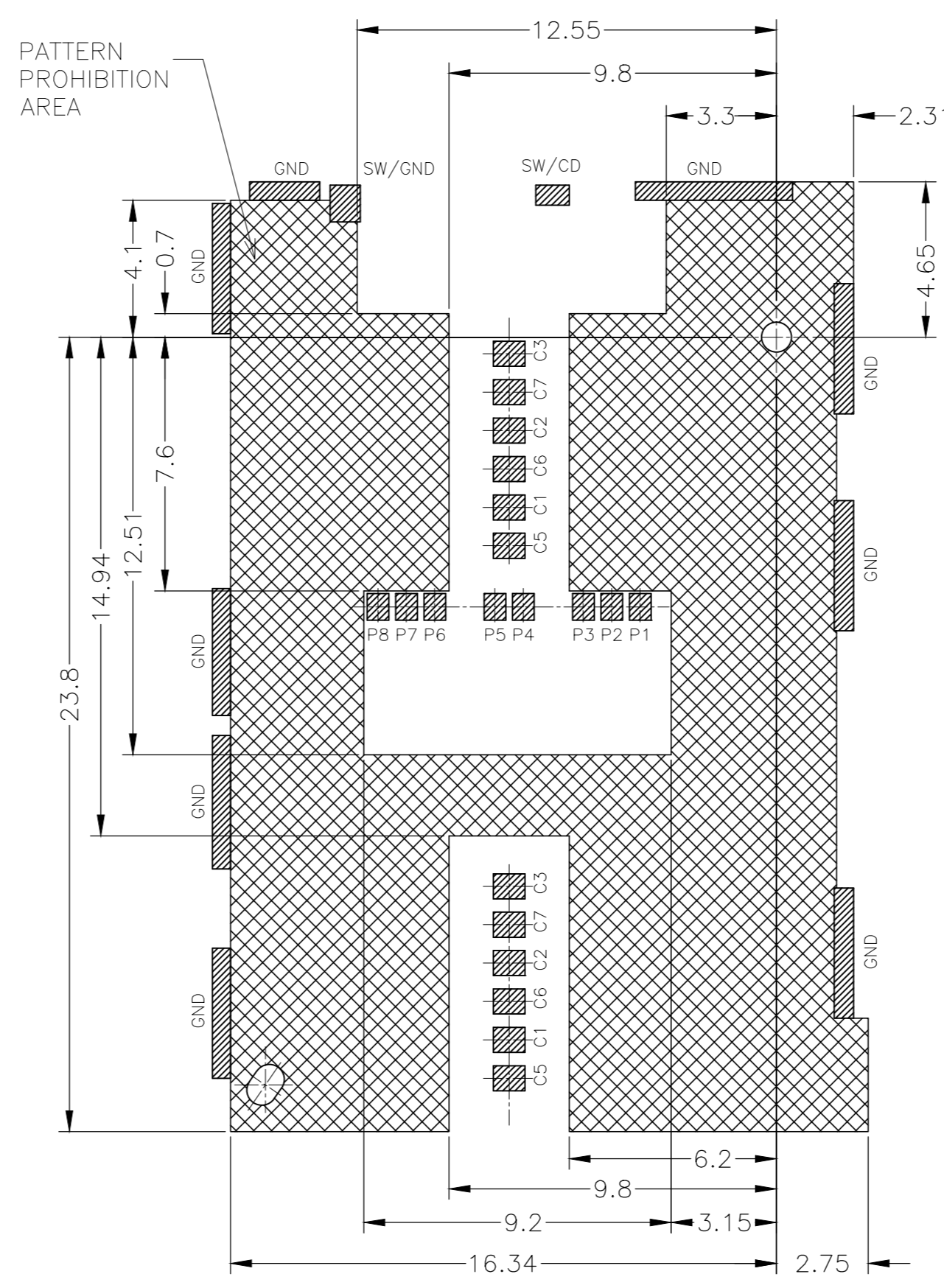
- 1:AS SHOWN

THIS DRAWING IS A CONTROLLED DOCUMENT.		DWN Y.OKOSHI 13FEB2015	△ 2290741-1	
DIMENSIONS: 単位: 純 mm		CHK J.TSUJI 13FEB2015	FINISH PART NUMBER	
TOLERANCES UNLESS OTHERWISE SPECIFIED: 一般公差		APVD K.KOBAYASHI 13FEB2015	TE Connectivity	
0 PLC ± 0.15 1 PLC ± 0.15 2 PLC ± 0.15 3 PLC ± - 4 PLC ± - ANGLES ± 3°		PRODUCT SPEC 製品規格 108-140083	NAME 名称 PIN PUSH TRAY TYPE CONNECTOR 3 IN 2 FOR 4FF AND MCIRO SD CARD	
MATERIAL 材料 △		APPLICATION SPEC 取付適用規格	SIZE A2	RESTRICTED TO
FINISH 仕上 △		WEIGHT 0	CAGE CODE 00779	DRAWING NO 番号 C=2290741
		CUSTOMER DRAWING	SCALE 尺度 5:1	SHEET 1 of 4 REV C

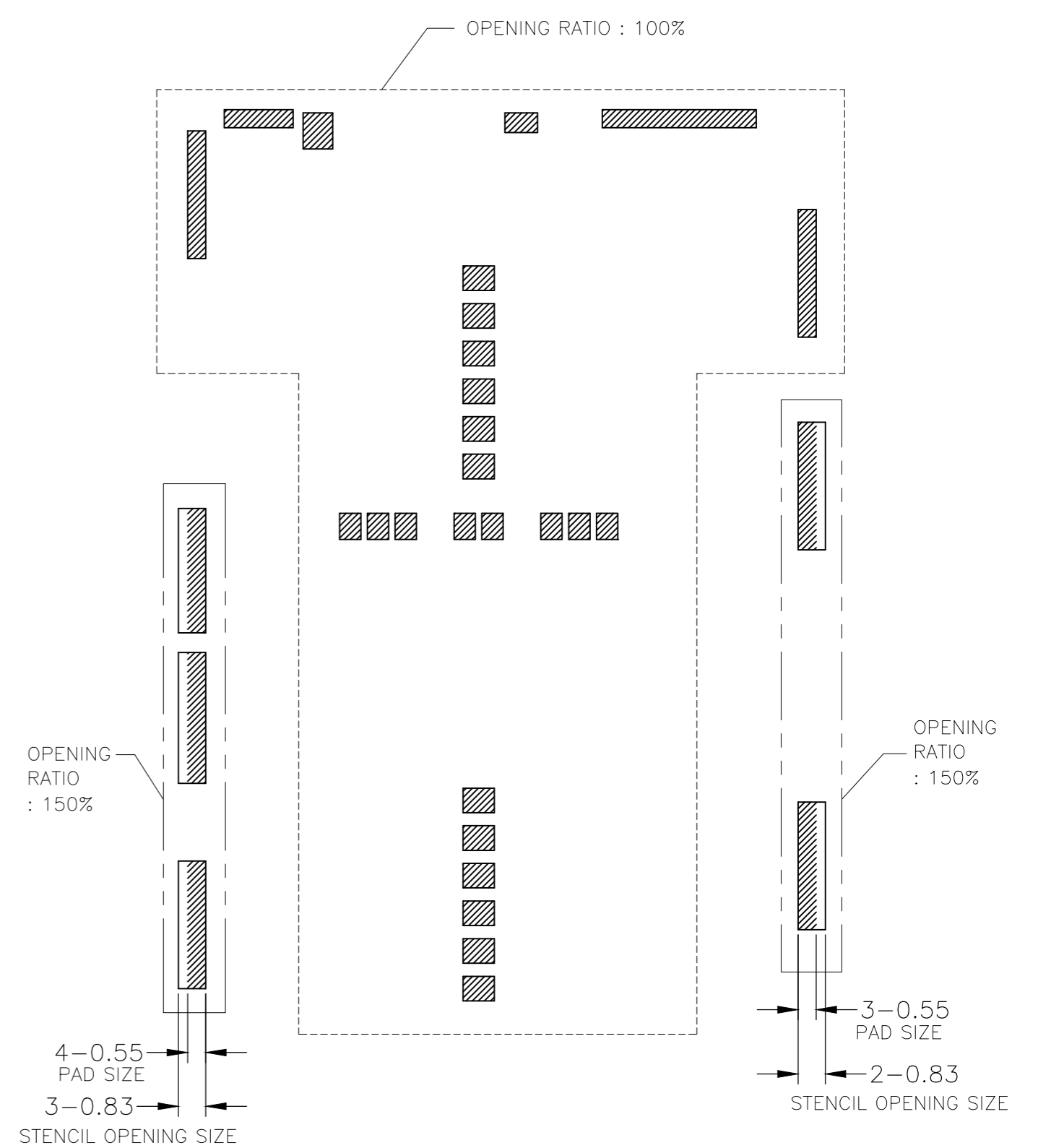
REVISIONS					
P	LTR	DESCRIPTION	DATE	DWN	APVD
-	-	SEE SHEET 1	-	-	-



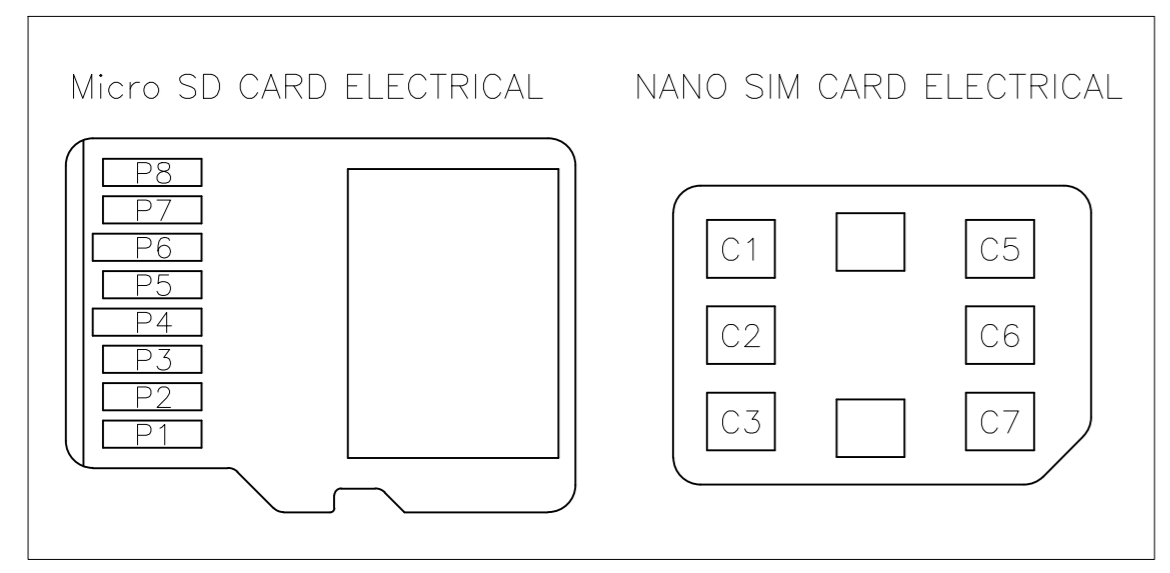
REFERENCE PCB LAYOUT (TOLERANCE : +/-0.05)
FROM MOUNTING SURFACE



REFERENCE PCB LAYOUT (TOLERANCE : +/-0.05)
FROM MOUNTING SURFACE



REFERENTIAL STENCIL DESIGN
 PAD AREA
 STENCIL OPENING AREA



CONNECTOR PIN ASSIGNMENT

ITEM	FUNCTION
Micro SD CARD	
P1	DAT2
P2	CD/DAT3
P3	CMD
P4	VDD
P5	CLK
P6	VSS
P7	DAT0
P8	DAT1
SW	TRAY DETECTION SW
S	SHELL GND
NANO SIM CARD	
C1	VCC
C2	RST
C3	CLK
C5	GND
C6	VPP
C7	DATA

CARD PIN ASSIGNMENT

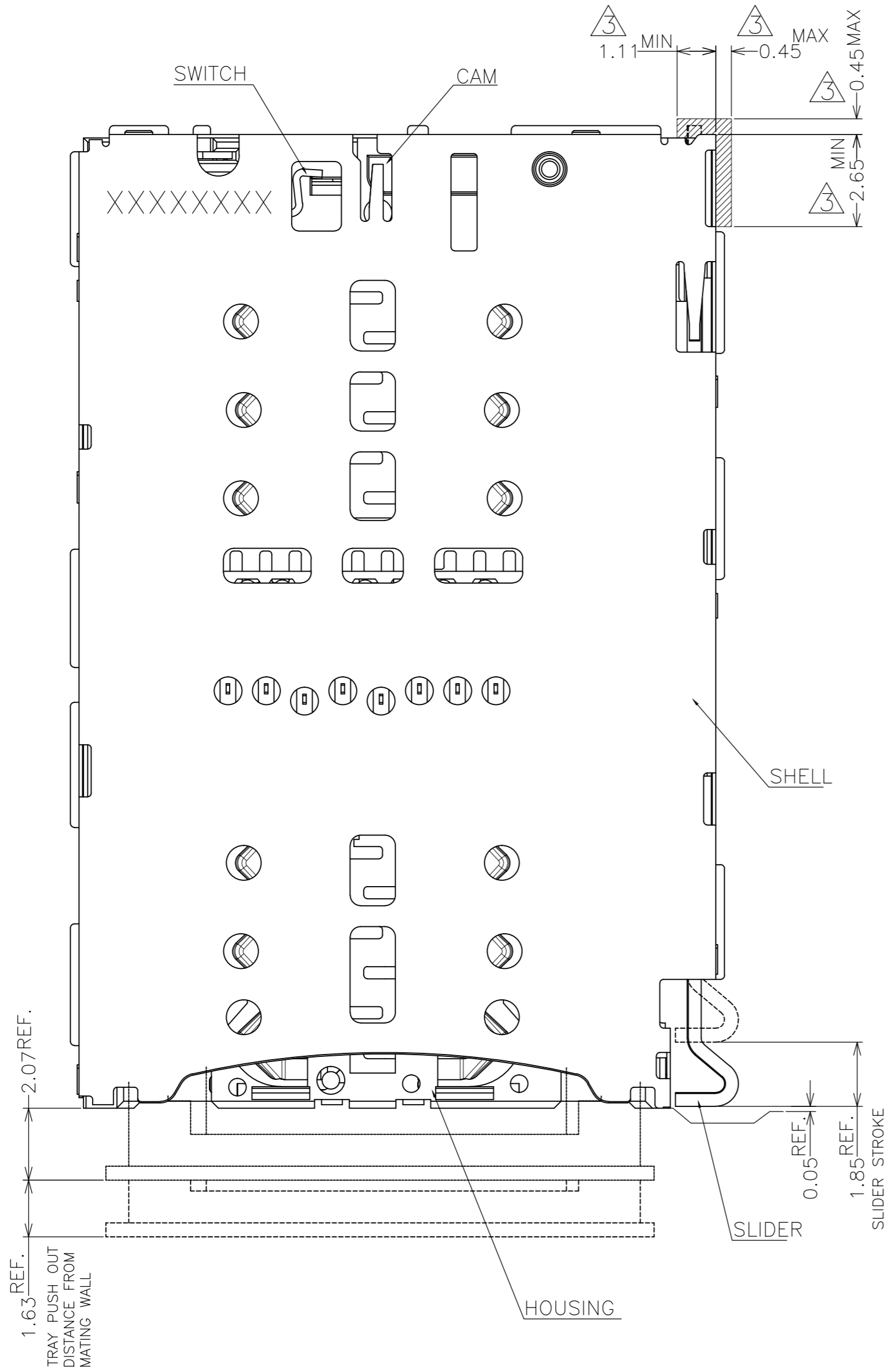
ITEM	FUNCTION
Micro SD CARD	
P1	DAT2
P2	CD/DAT3
P3	CMD
P4	VDD
P5	CLK
P6	VSS
P7	DAT0
P8	DAT1
NANO SIM CARD	
C1	VCC
C2	RST
C3	CLK
C5	GND
C6	VPP
C7	DATA

THIS DRAWING IS A CONTROLLED DOCUMENT.

DIMENSIONS: 單位: 耗 mm	TOLERANCES UNLESS OTHERWISE SPECIFIED: 一般公差	0 PLC ± 1 PLC ± 2 PLC ± 3 PLC ± 4 PLC ± ANGLES ±	DWN CHK APVD PRODUCT SPEC 製品規格 APPLICATION SPEC 取付適用規格 WEIGHT	NAME 名稱 PIN PUSH TRAY TYPE CONNECTOR 3 IN 2 FOR 4FF AND MCIRO SD CARD	RESTRICTED TO
MATERIAL 材料	FINISH 仕上	SCALE 尺度 6:1	SIZE A2	CAGE CODE 00779	DRAWING NO 番号 C=2290741
CUSTOMER DRAWING			SHEET 2 of 4	REV C	

THIS DRAWING IS UNPUBLISHED. RELEASED FOR PUBLICATION
 © COPYRIGHT - By - ALL RIGHTS RESERVED.

REVISIONS				
P	LTR	DESCRIPTION	DATE	APVD
-	-	SEE SHEET 1	-	-



APPLICATION VIEW FOR TRAY

THIS DRAWING IS A CONTROLLED DOCUMENT.		DWN		
DIMENSIONS: 單位: 耗 mm		CHK		
TOLERANCES UNLESS OTHERWISE SPECIFIED: 一般公差		APVD	NAME 名稱	
0 PLC ±		PRODUCT SPEC 製品規格	PIN PUSH TRAY TYPE CONNECTOR	
1 PLC ±		APPLICATION SPEC 取付適用規格	3 IN 2 FOR 4FF AND MCIRO SD CARD	
2 PLC ±		WEIGHT	SIZE	CAGE CODE
3 PLC ±		FINISH 仕上	A2	00779
4 PLC ±			DRAWING NO 番号	C=2290741
ANGLES ± -		CUSTOMER DRAWING	SCALE 尺度	SHEET 3 of 4
MATERIAL 材料			8:1	REV C

2290741

4

3

2

1

THIS DRAWING IS UNPUBLISHED. RELEASED FOR PUBLICATION
 © COPYRIGHT - By - ALL RIGHTS RESERVED.

REVISIONS				
P	LTR	DESCRIPTION	DATE	APVD
-	-	SEE SHEET 1	-	-

PEELING STRENGTH 0.1-1.3N MAX(300±10mm/min)
 PEELING ANGLE 165~180°

WIDE COVER TAPE AROUND
 OUT PERIPHERY 1 TURN

TOP OF REEL

1200EA/REEL

WITHOUT CHARGE 10POCKETS MIN. WITH PRODUCT CHARGE 1200POCKETS WITHOUT CHARGE 15POCKETS MIN.

REF. $\phi 380$

44.4 REF.

50.4 REF.

4±0.1

2±0.2

$\phi 1.5^{+0.1}$

0.4 REF.

1.7 REF.

1.75±0.2

20.2±0.2

40.4±0.1

44±0.3

24±0.1

TOP OF REEL

THIS DRAWING IS A CONTROLLED DOCUMENT.		DWN	TE Connectivity		
DIMENSIONS: 單位: 耗 mm		CHK			
TOLERANCES UNLESS OTHERWISE SPECIFIED: 一般公差 0 PLC ± 1 PLC ± 2 PLC ± 3 PLC ± 4 PLC ± ANGLES ±		APVD	NAME 名稱 PIN PUSH TRAY TYPE CONNECTOR 3 IN 2 FOR 4FF AND MCIRO SD CARD		
MATERIAL 材料		WEIGHT	SIZE A2	CAGE CODE 00779	DRAWING NO 圖號 C-2290741
FINISH 仕上		CUSTOMER DRAWING	SCALE 尺度 NTS	SHEET 4 of 4	RESTRICTED TO REV C

1471-9 (1/15)

2290741