

4

3

2

1

THIS DRAWING IS UNPUBLISHED.

RELEASED FOR PUBLICATION

2011

© COPYRIGHT 2011

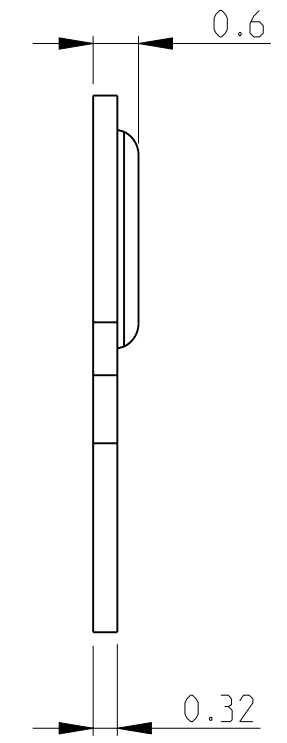
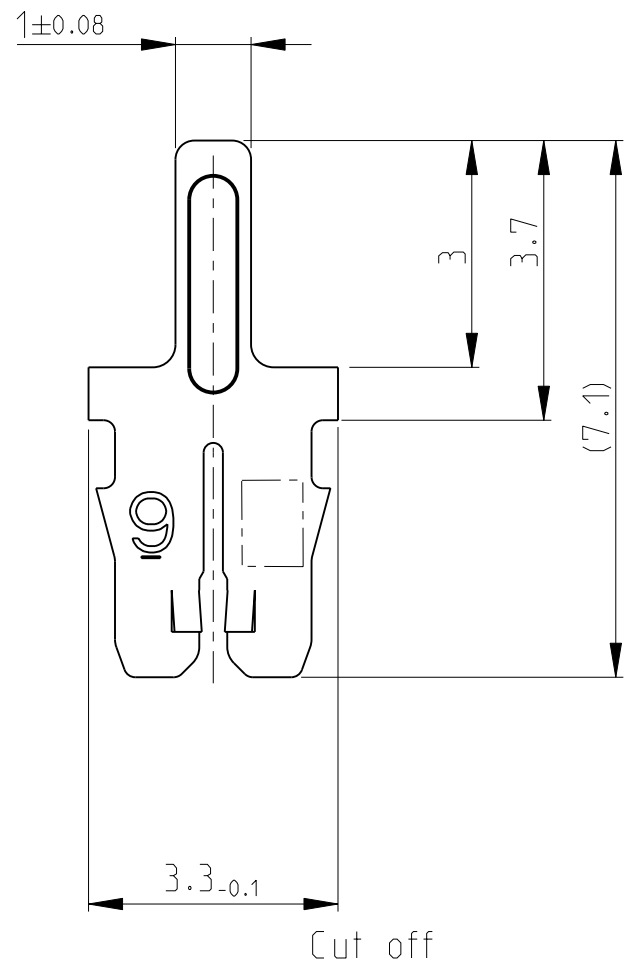
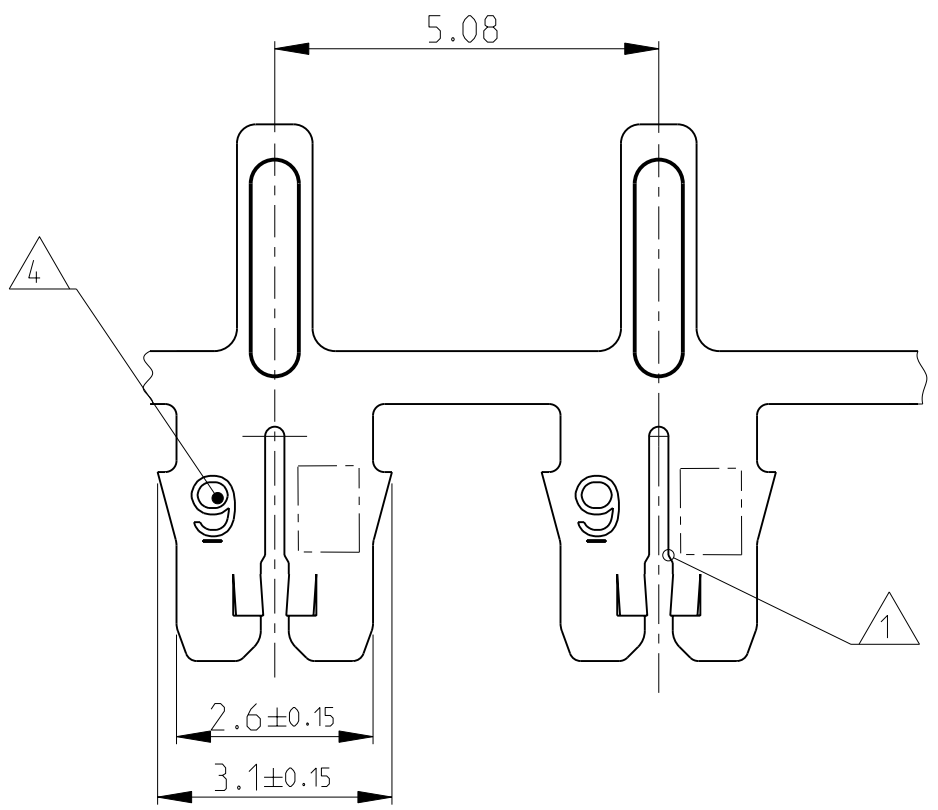
ALL RIGHTS RESERVED.

LOC
IR

DIST
-

REVISIONS

P	LTR	DESCRIPTION	DATE	DWN	APVD
	A	INITIAL RELEASE	18JUL2011	PKS	RRP
	A1	CAVITY DWG INFO CORRECTED	29SEP2011	PKS	RRP



Bemerkungen
NOTES

- 1 Geeignet fuer Kupfertackdraht Ø0.355...0.45mm
Einzeldraht oder zwei Draehte gleichen Durchmessers
SLOT ACCEPTS:
SINGLE OR DOUBLE MAGNET WIRE
SAME DIAMETERS 0.355...0.45mm DIA
- 2 Anlieferungszustand: Kontakte fortlaufend mit
Papierzwiseilage auf Kunststoffspule aufgewickelt
Max. 5 Splice Stellen pro Spule
Splice Stellen nicht miteinander verbunden
DELIVERSTATE: CONTACTS CONTINUOUS REELED WITH PAPER
INTERLAYER ON PLASTIC-REEL.
MAX. 5 SPLICES PER REEL
SPLICES BE NOT BONDED TOGETHER.
- 3 Kontaktkammer nach Zeichnung } Spec. 411-18513
CAVITY ACCORDING DWG.
- 4 Kennziffer fuer Drahtgroessenbereich (9)
IDENTIFICATION NO. FOR MAGNET WIRE RANGE (9)
- 5 Materialdicke } 0.32±0.02
STOCK THICKNESS

1987501-1	A	CuSn	PRETINNED	MAG-MATE .187 mod.
PART NO	REV.	MATERIAL	SURFACE COLOR	DESCRIPTION

THIS DRAWING IS A CONTROLLED DOCUMENT.		DWN J.KOEHLE 31JUL2008	 TE Connectivity											
DIMENSIONS: mm		CHK S.ZABECK 04AUG2008												
TOLERANCES UNLESS OTHERWISE SPECIFIED:		APVD T.KLENNER 04AUG2008												
<table border="0"> <tr><td>0 PLC</td><td>±0.2</td></tr> <tr><td>1 PLC</td><td>±0.2</td></tr> <tr><td>2 PLC</td><td>±0.2</td></tr> <tr><td>3 PLC</td><td>±0.2</td></tr> <tr><td>4 PLC</td><td>±0.2</td></tr> <tr><td>ANGLES</td><td>±1°</td></tr> </table>		0 PLC			±0.2	1 PLC	±0.2	2 PLC	±0.2	3 PLC	±0.2	4 PLC	±0.2	ANGLES
0 PLC	±0.2													
1 PLC	±0.2													
2 PLC	±0.2													
3 PLC	±0.2													
4 PLC	±0.2													
ANGLES	±1°													
MATERIAL SEE TABLE		FINISH SEE TABLE	NAME MAG-MATE Kontakt mit Loetpin											
		WEIGHT -	SIZE A3	CAGE CODE 00779										
			DRAWING NO C-1987501	RESTRICTED TO -										
		CUSTOMER DRAWING	SCALE 10:1	SHEET 1 OF 1										
				REV A1										