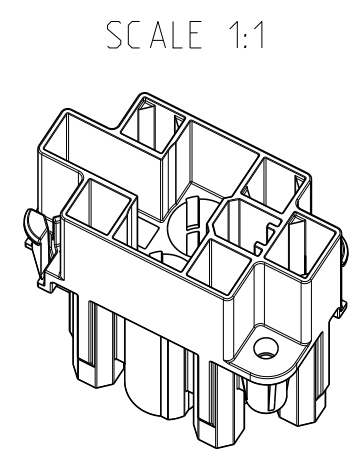


- 1 CAVITY FOR TAB CONTACT 2.8x0.8mm PN 2-2141598-2
- 2 CAVITY FOR SIGNAL HOUSING PN 2295894-1 FOR TAB CONTACT 1.2x0.6mm PN 1418758-3
- 3 CAVITY FOR ETHERNET CORE PN 1103426-1
- 4 CODING IDENTIFIER CUSTOMER SPECIFIED
- 5 TE PART NO.
- 6 PRODUCTION DATE CLOCK
- 7 CURRENT TE REVISION LETTER
- 8 MOLD CAVITY IDENTIFICATION NUMBER
- 9 PACKAGING: SINGLE PIECE PACKED IN A BUBBLE BAG. 10 BAGS OVERPACKED INTO ONE BIG BAG AND THEN PACKED IN A TE OR NEUTRAL PAPER BOX.



-1 AS SHOWN

TOLERANCING ISO 8015
 GEOMETRIC TOLERANCING ISO 1101
 SIZE ISO 14405
 GENERAL TOLERANCES ISO 2768-K

2295893-1	TAB HOUSING	BLACK	PBT-GF30
TE CONNECTIVITY ORDER NO.	DESCRIPTION	SURFACE	MATERIAL
		COLOUR	

DIESE ZEICHNUNG IST EIN KONTROLLIERTES DOKUMENT. BEMASSUNGEN UND TOLERANZEN GEMAESS GPS (ISO STANDARDS).		DWN 30SEP2015 E.REISS	
THIS DRAWING IS A CONTROLLED DOCUMENT. DIMENSIONING AND TOLERANCING PER GPS (ISO STANDARDS).		CHK 30SEP2015 KANG INGON	
DIMENSIONS: MASSEINHEITEN: MM		APVD 30SEP2015 ONDREJ DUSAN	
TOLERANCES UNLESS OTHERWISE SPECIFIED: ALLGEMEINTOLERANZEN		PRODUCT SPEC PRODUKTSPEZ.	
0 PLC ±0.1		APPLICATION SPEC VERARBEITUNGSSPEZ.	
1 PLC ±0.1		WEIGHT GEWICHT	
2 PLC ±0.1		14.42g	
3 PLC ±		Customer Drawing	
4 PLC ±		/KUNDENZEICHNUNG	
ANGLES/WINKEL ±1°		SCALE MASSSTAB 2:1	
FINISH/OBERFLAECHE/FARBE		SHEET BLATT 1 OF 1	
-		REV A1	
-		RESTRICTED TO NUR FUER	

		NAME	
		TAB HOUSING FLACHSTECKER GEHAEUSE	
SIZE	CAGE CODE	DRAWING NO. ZEICHNUNGS-NR.	RESTRICTED TO NUR FUER
A3	00779	©=2295893	-