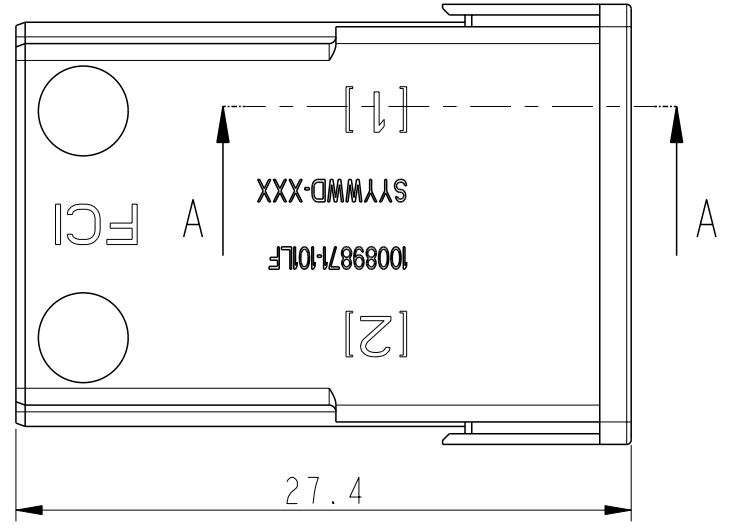
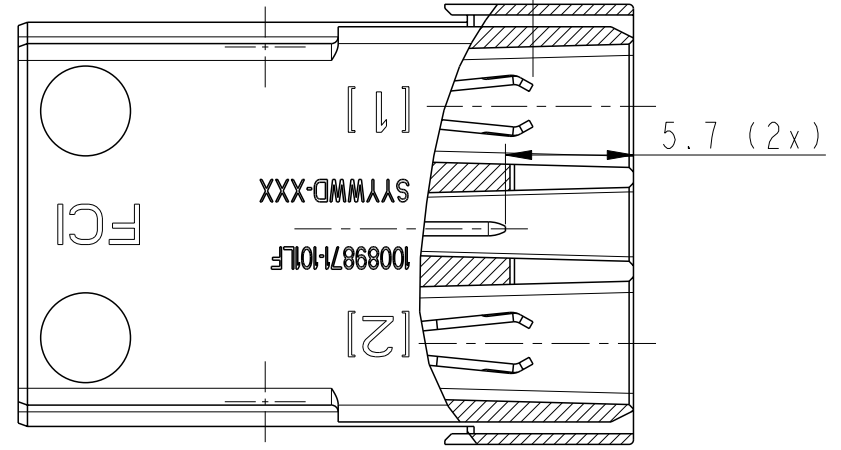


PRODUCT NUMBER  
10089871

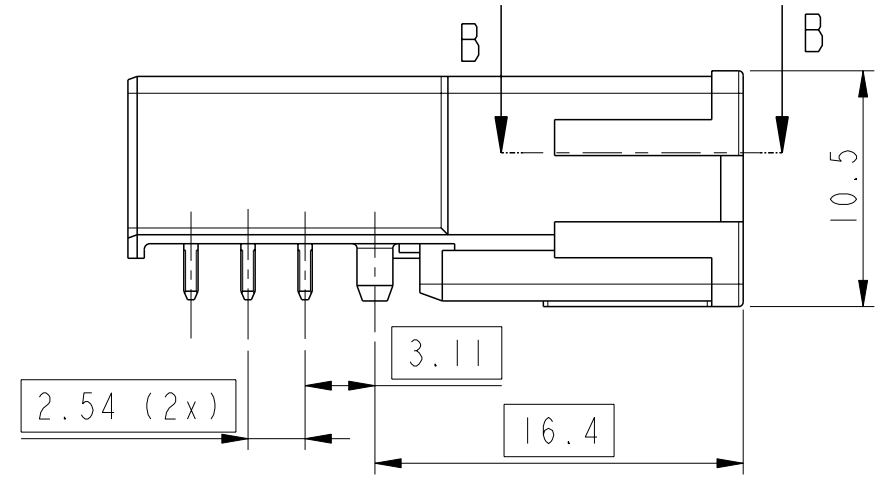
A



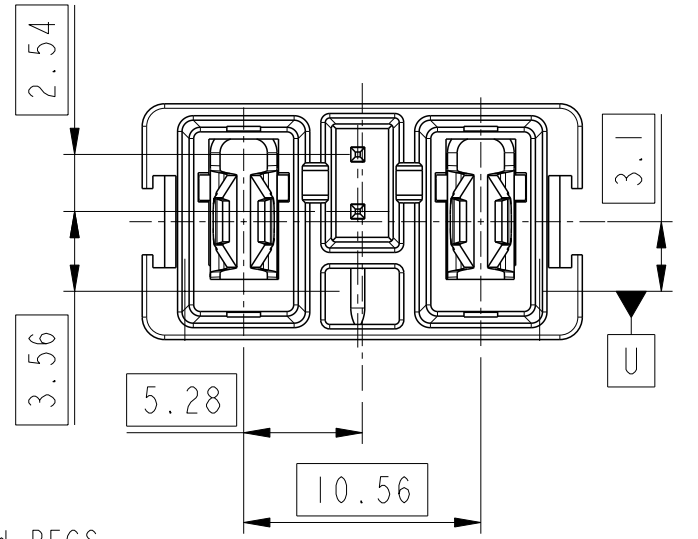
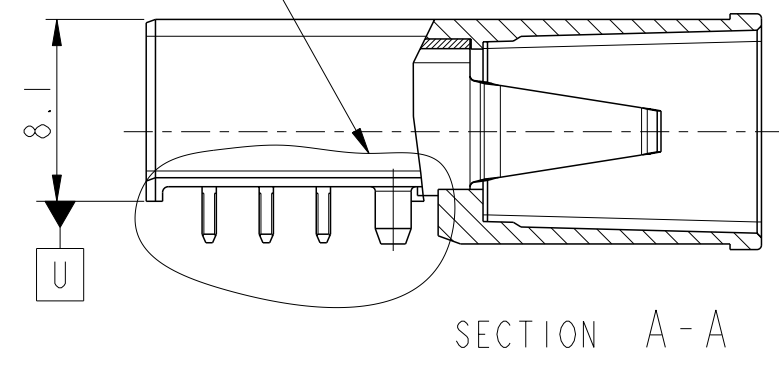
SECTION B-B 4.47 (2x)



B

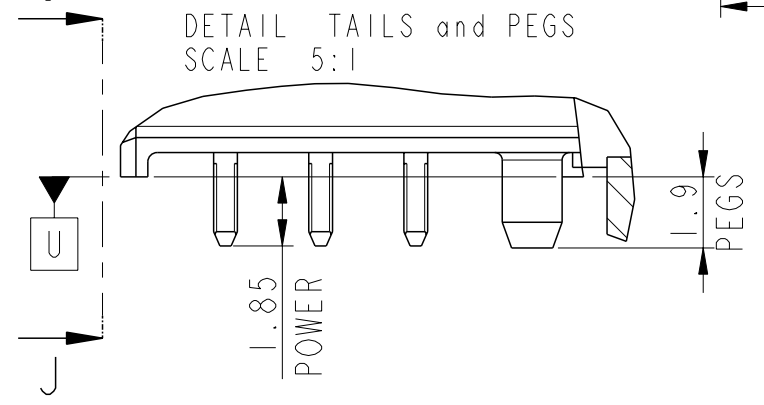
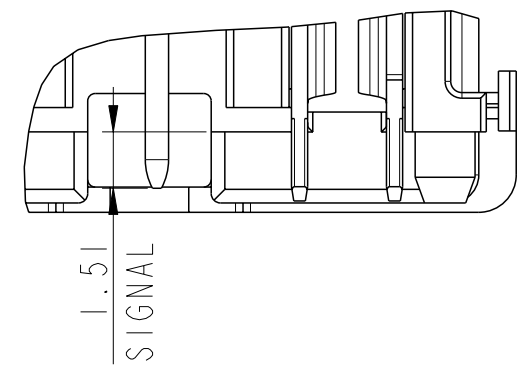


SEE DETAIL  
TAILS and PEGS

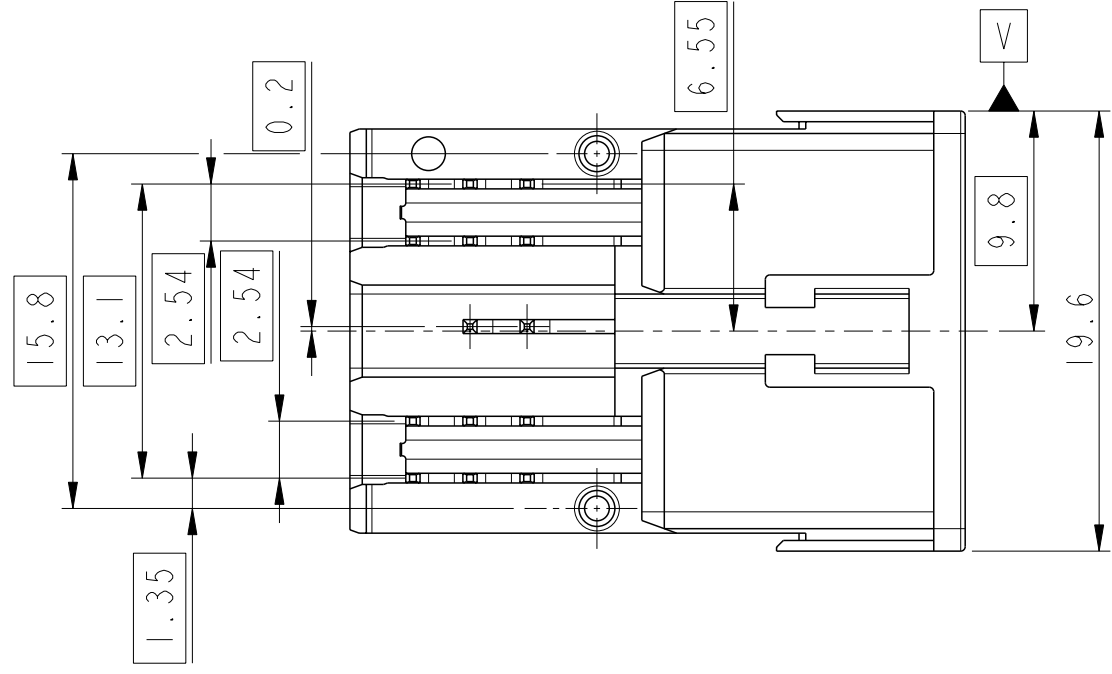


C

VIEW : J-J



D

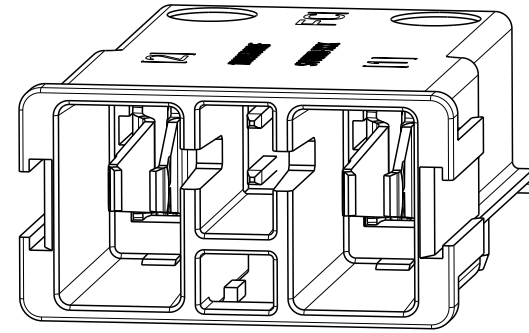
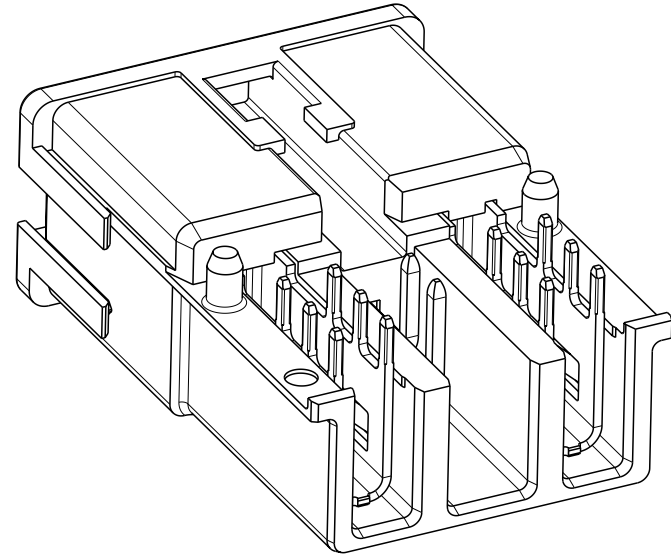


www.fci.com			surface - ISO 1302	tolerance std ISO 406 ISO 1101	projection mm
			TOLERANCES UNLESS OTHERWISE SPECIFIED		
Dr	P.Poorter	2009-03-09	ANGULAR	0.X ±	size A3
Eng	J.de Bruijn	2008-08-05	LINEAR	0.XX ±	Scale 1:1
Chr	P.Poorter	2009-03-12	0° ±°	0.XXX ±	ECN H09-0094
Appr	J.de Bruijn	2009-03-12	Product family	-	Spec ref -
FCi PwrProfile+ Board Connector Assembly			dwg no 10089871		Rev. B
UNSHIELDED PIP VERSION			CUSTOMER COPY		sheet 1 of 4
catalog no					

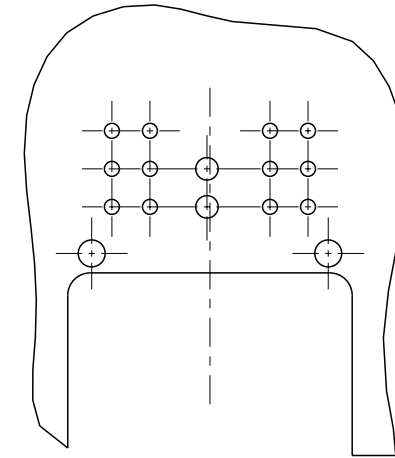


Copyright FCI.

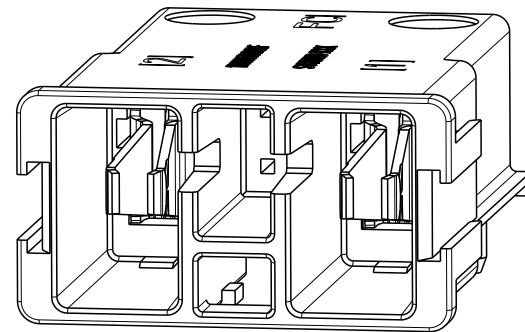
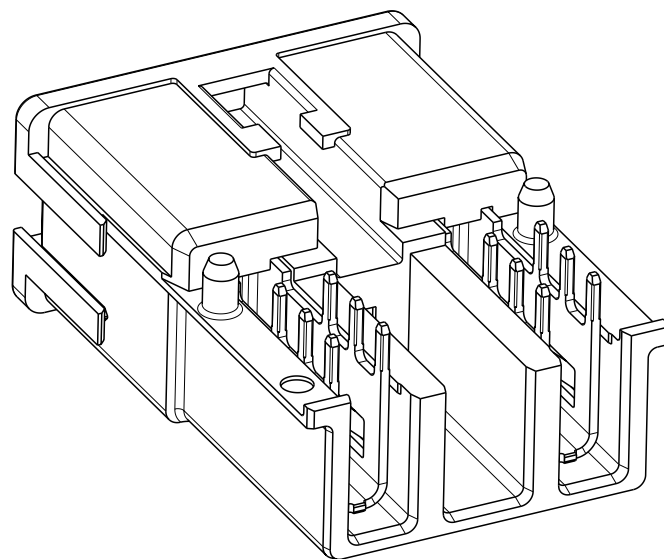
P/N 10089871-101LF,  
PIP, Enable Function (Signal Contacts Included).



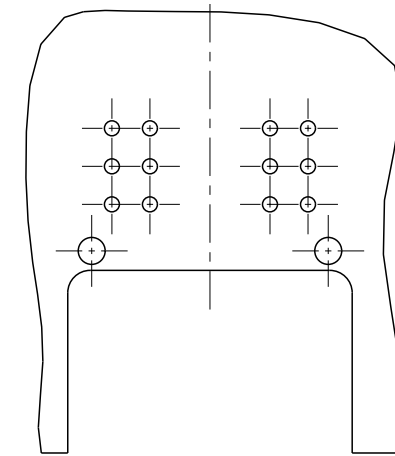
RECOMMENDED PCB LAYOUT:  
PIP, Enable Function (Signal Circuit Included).



P/N 10089871-102LF,  
PIP, No Enable Function (Signal Contacts Removed).



RECOMMENDED PCB LAYOUT:  
PIP, No Enable Function (Signal Circuit Removed)

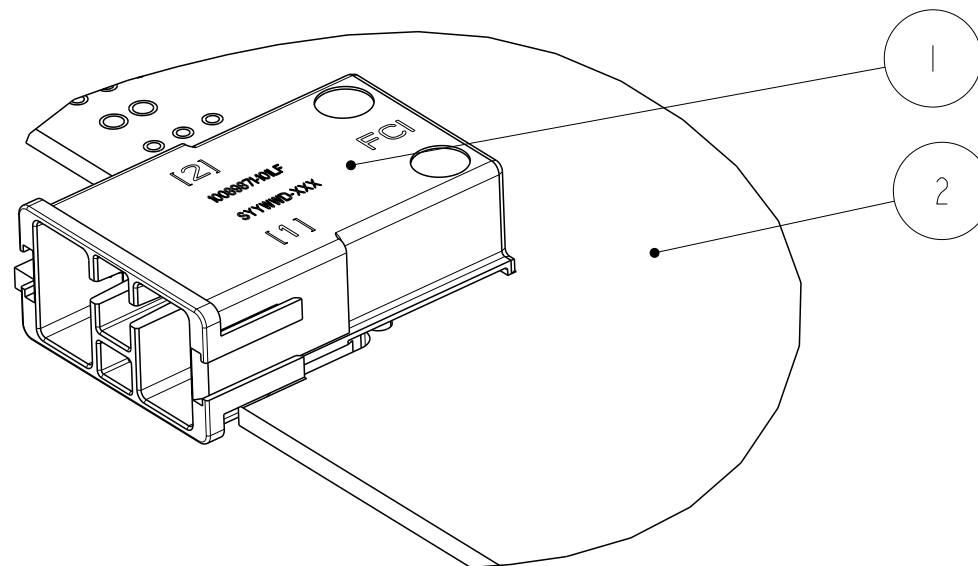
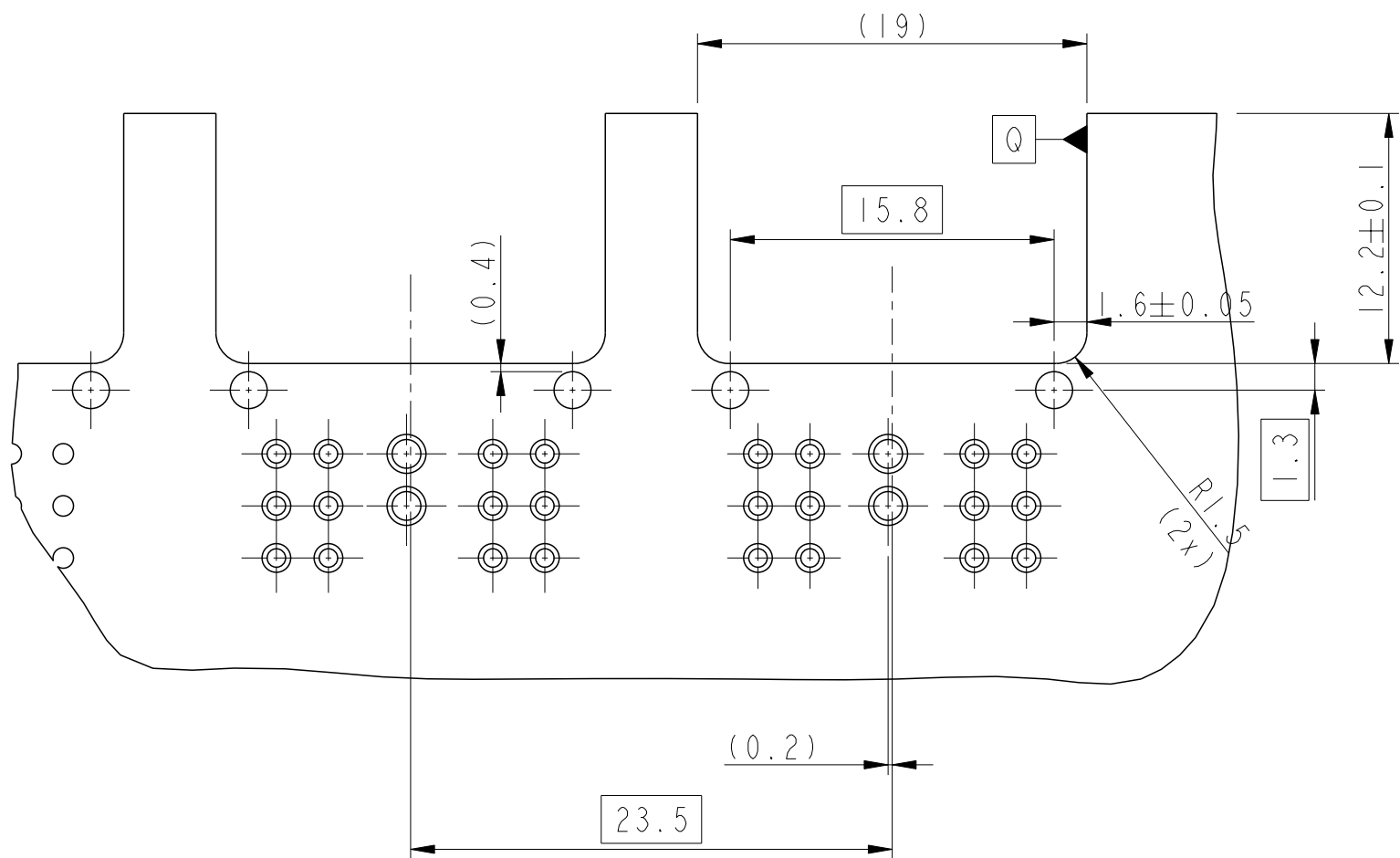
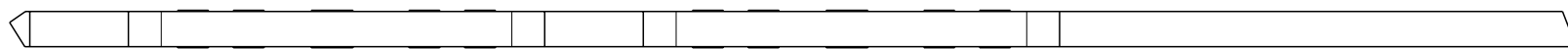


Copyright FCI.

www.fci.com			surface ISO 1302	- ✓	tolerance std ISO 406 ISO 1101	projection mm	mm	
TOLERANCES UNLESS OTHERWISE SPECIFIED								
Dr	P.Poorter	2009-03-09	ANGULAR	LINEAR	0.X			
Eng	J.de Bruijn	2008-08-05			0.XX	±	A3	1:1
Chr	P.Poorter	2009-03-12			0° ±°	0.XXX	±	ECN
Appr	J.de Bruijn	2009-03-12	Product family			-	Spec ref	-
			PwrProfile+ Board Connector Assembly			dwg no	10089871	
			UNSHIELDED PIP VERSION				Rev. B	
catalog no			-			CUSTOMER COPY	sheet 2 of 4	

PRODUCT NUMBER

APPLICATION FOR 10089871-101LF



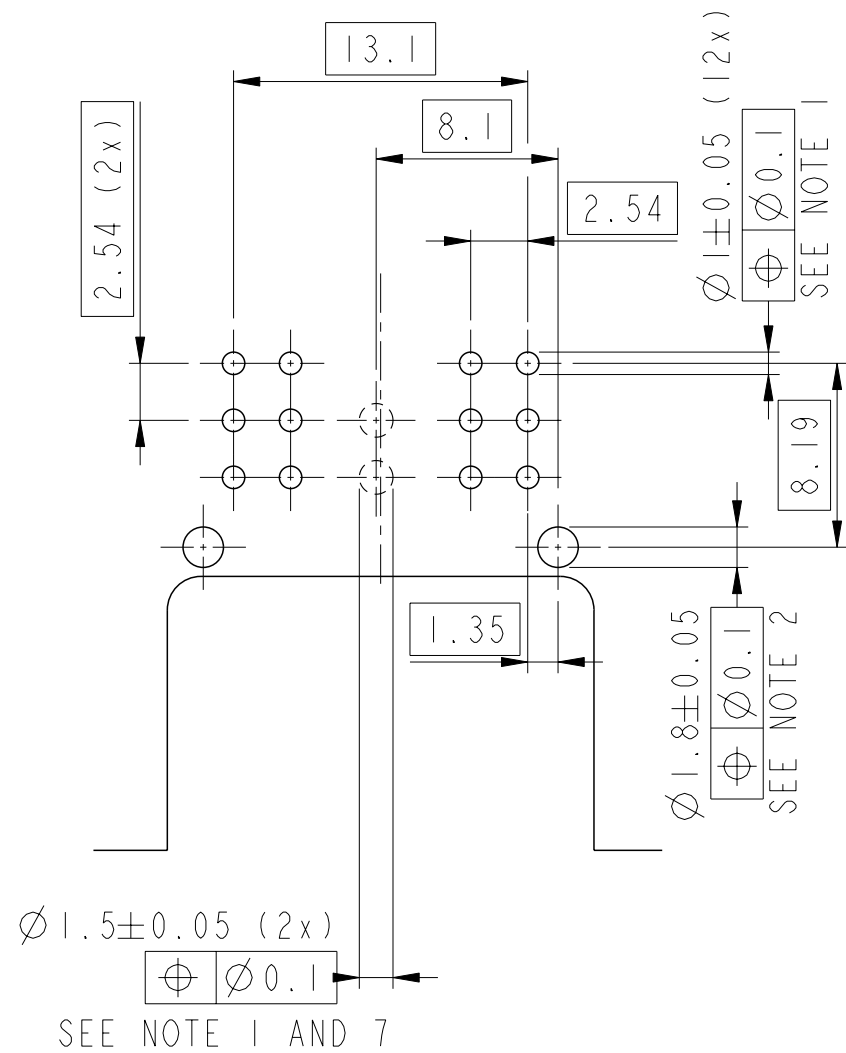
SCALE 2:1

2	PCB
1	BOARD CONNECTOR
NO	PART NAME

www.fci.com			surface - <input checked="" type="checkbox"/> ISO 1302	tolerance std ISO 406 ISO 1101	projection	mm
			TOLERANCES UNLESS OTHERWISE SPECIFIED			
Dr	P.Poorter	2009-03-09	ANGULAR	LINEAR	0.X	±
Eng	J.de Bruijn	2008-08-05			0.XX	±
Chr	P.Poorter	2009-03-12	0°	±°	0.XXX	±
Appr	J.de Bruijn	2009-03-12	Product family		-	Spec ref
			PwrProfile+ Board Connector Assembly			dwg no
			UNSHIELDED PIP VERSION			10089871
			catalog no			CUSTOMER COPY
						sheet 3 of 4

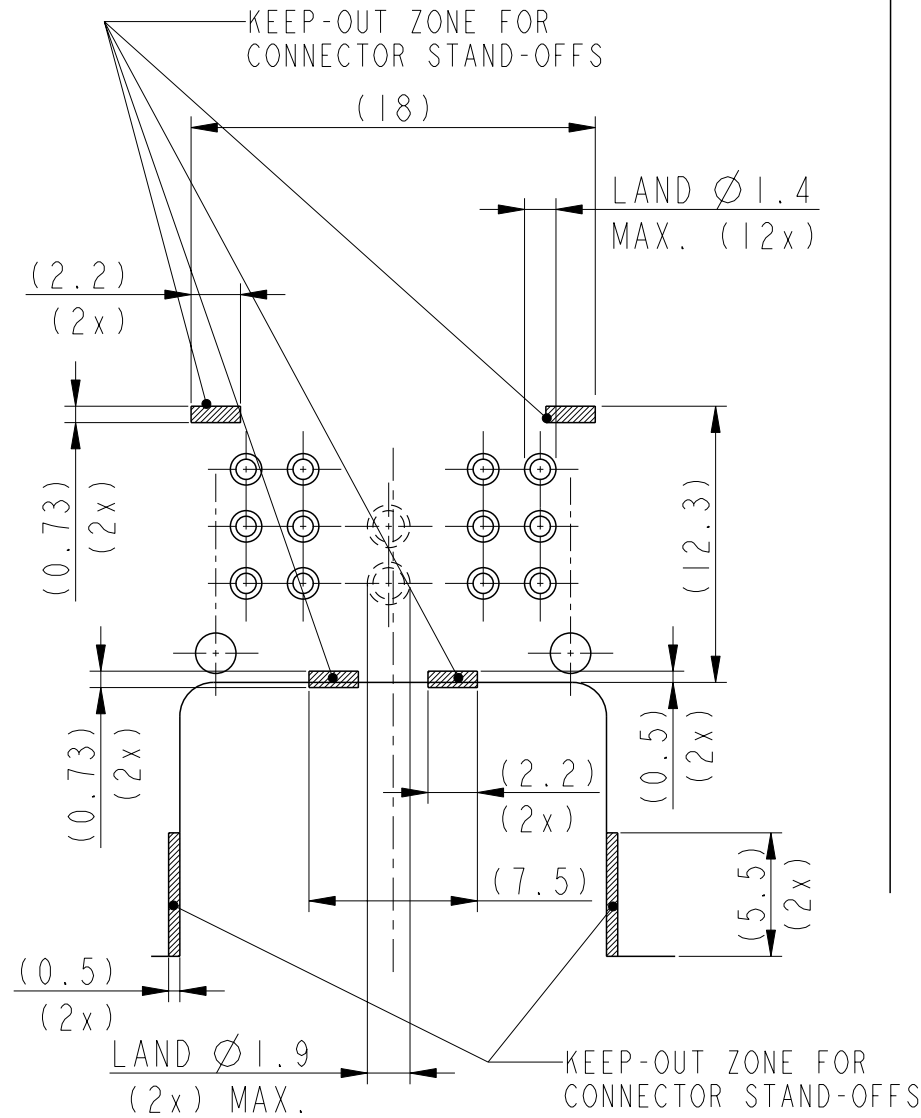
# PCB LAYOUT: HOLE PATTERN

PCB thickness 1.6 - 2.4 mm.



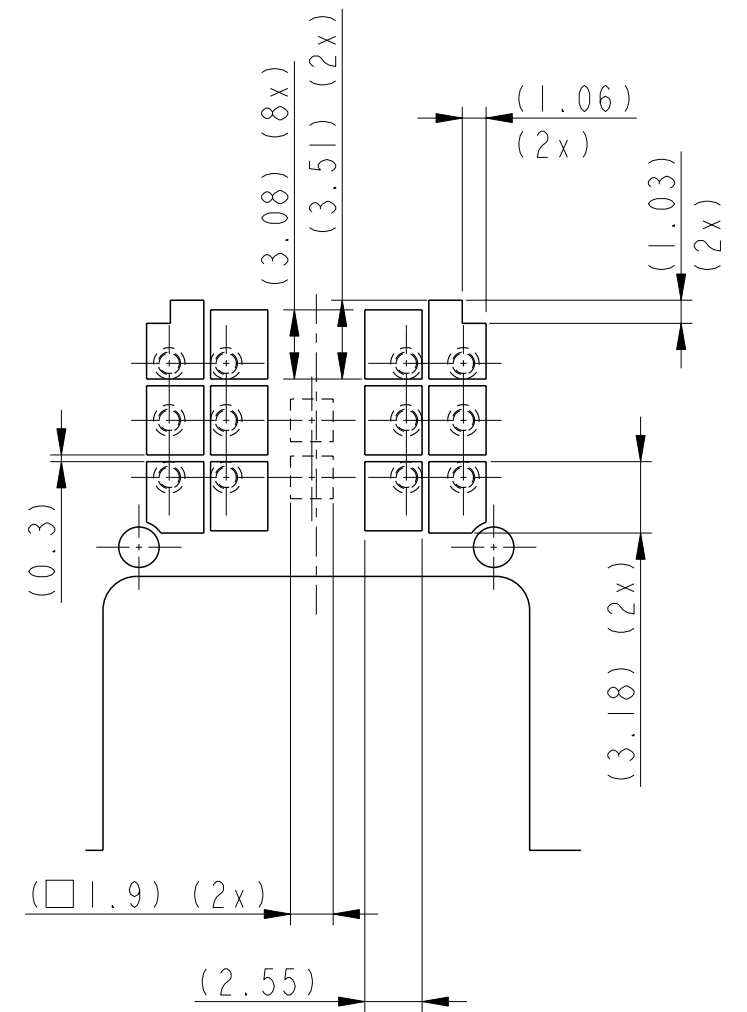
# PCB LAYOUT: PLATING

Plating thickness must be constant over the connector area.



# PCB LAYOUT : SOLDER PASTE

Assumed stencil thickness 0.10 mm (above copper tracks). The solder content in the paste should be sufficient, typically 50% volume percentage. The solder tail, PCB, stencil and application process determine the solder result. The squeegee process (angle, speed, pressure, material and number of cycles) must be optimized, so that sufficient solder is available.



### NOTES:

1. HOLE DIAMETER INCLUDES Cu PLATING
2. UNPLATED HOLE
3. PRODUCT SPECIFICATION: GS-12-594
4. PERFORMANCE BASED CONTACT FINISH ACCORDING TO GS-12-594, SECTION 4.3
5. FLAMMABILITY CLASS: UL 94-V0
6. RoHS COMPLIANT
7. ONLY WHEN USING PARTNUMBER 10089871-101LF.

www.fci.com			surface - <input checked="" type="checkbox"/> ISO 1302	tolerance std ISO 406 ISO 1101	projection	mm
			TOLERANCES UNLESS OTHERWISE SPECIFIED			
Dr	P.Poorter	2009-03-09	ANGULAR	LINEAR	0.X	±
Eng	J.de Bruijn	2008-08-05			0.XX	±
Chr	P.Poorter	2009-03-12	0°	±°	0.XXX	±
Appr	J.de Bruijn	2009-03-12	Product family			-
			title PwrProfile+ Board Connector Assembly		dwg no 10089871	Rev. B
			UNSHIELDED PIP VERSION			
			catalog no		CUSTOMER COPY	sheet 4 of 4



Copyright FCI.