

PART NAME: KNOB

SCALE: 1:1

DATE: 12/12/95

DR. BY HD



DESIGNERS & MANUFACTURERS OF KNOBS, HANDLES, CASES & CUSTOM PLASTIC COMPONENTS

P/N 2837-L

THIS DRAWING IS THE PROPERTY OF DAVIES MOLDING COMPANY. IS SUBMITTED SOLELY AS A DESIGN OR ENGINEERING PROJECT. WE ACCEPT NO RESPONSIBILITY WHATSOEVER FOR THE PRACTICAL APPLICATION OF THE PIECES MADE TO THIS DESIGN.

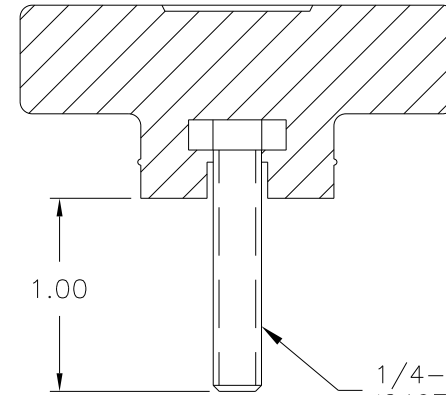
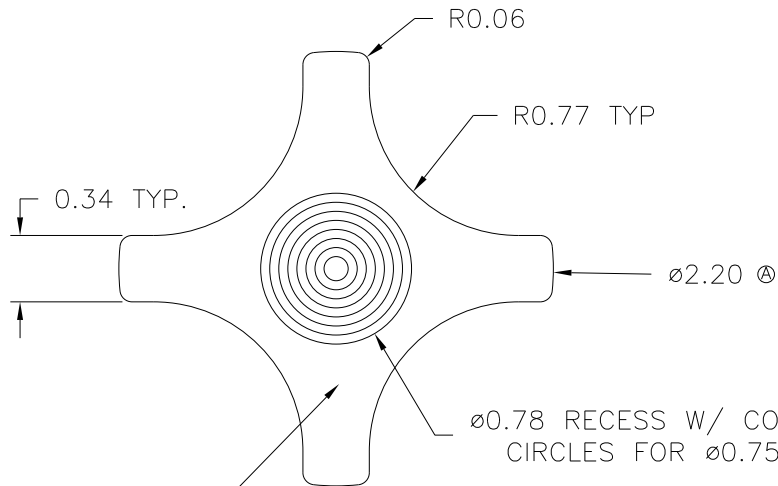
DO NOT SCALE DRAWING

MNO. 73

CAVITY	2837
CAVITY PLUG	2837
CORE	2837
SLEEVE	M-2837
PIN	2837-C
INSERT	I0854

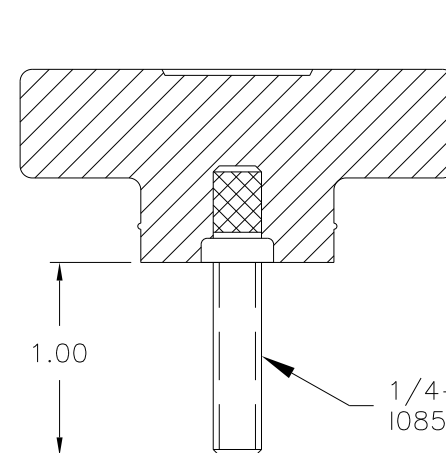
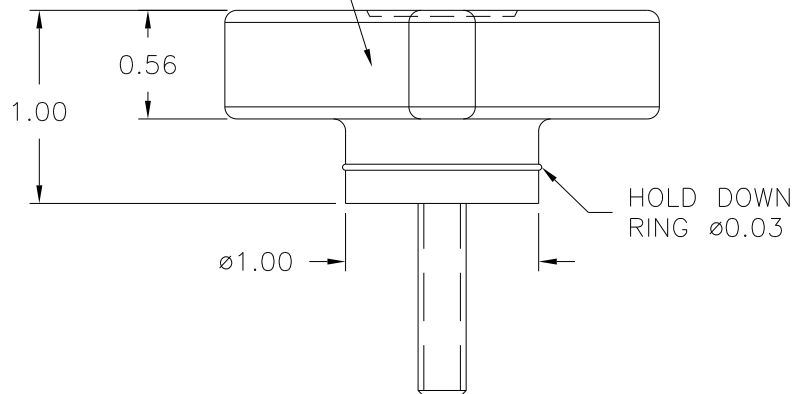
ALTERNATE TOOL SET-UP

PIN	2837-L
INSERT	I2407



1/4-20 UNC 2A THREAD  
12407, STAINLESS STEEL  
HEX SCREW (C)

TEXTURED OUTSIDE SURFACES (UT-1090)



1/4-20 UNC-2A THREADED  
I0854, STAINLESS STEEL

(D) MATERIAL: NYLON 6/6 (ZY2), (ZY6)  
OR ENGINEERING APPROVED EQUIVALENT  
COLOR: BLACK

(B)

D	WAS CLC, ADDED ZY6	JAM	6/25/12
C	ADDED ALT INSERT	RF	10/2/09
B	ADDED MAT. CODE	DS	1/8/07
A	2.20 WAS 2.25	DS	4/10/06
-	REDRAWN	TL	11/22/99

TOLERANCES: UNLESS OTHERWISE SPECIFIED	DO NOT SCALE DRAWING
DECIMALS: X.XXX ± .005 X.XX ± .015	MM: X.XX ± 0.15MM X.X ± 0.4MM
FRACTIONS ± 1/64	ANG. ± 1°

CHANGES