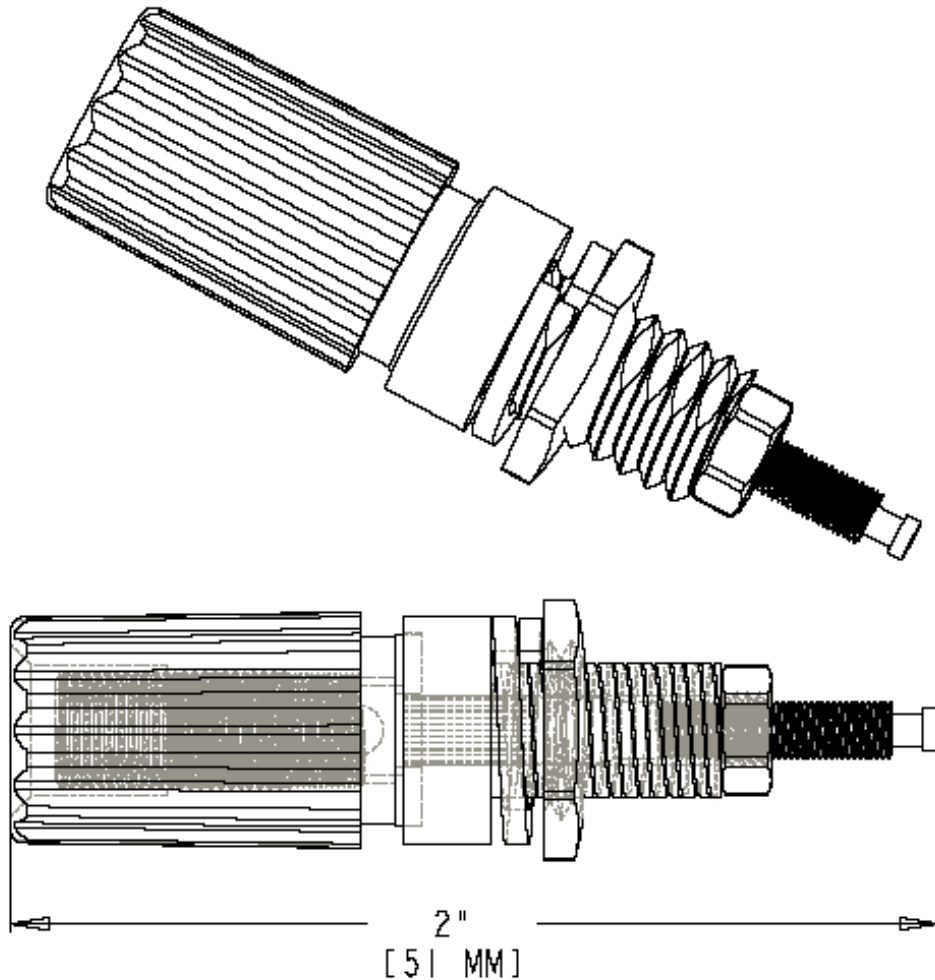




Part Number: BU-00281- *
Description: Slim-Line Five Way Binding Post-Threaded

3507



- Slim-Line Five Way Binding Post- Threaded
- Material: Post: nickel-plated brass; Insulator: nylon
- Length: 2" (51 mm)
- *Std. Colors: -0 Black, -2 Red
- Rating: 15 Amps
- RoHS Compliant

Mueller Electric Company
1625 E. 31st Street
Cleveland, Ohio 44114

ISO 9001:2000
Over 95 Years Of Innovation
www.muellerelectric.com

TEL. 800-955-2629
TEL. 216-771-5225
FAX. 216-771-3068