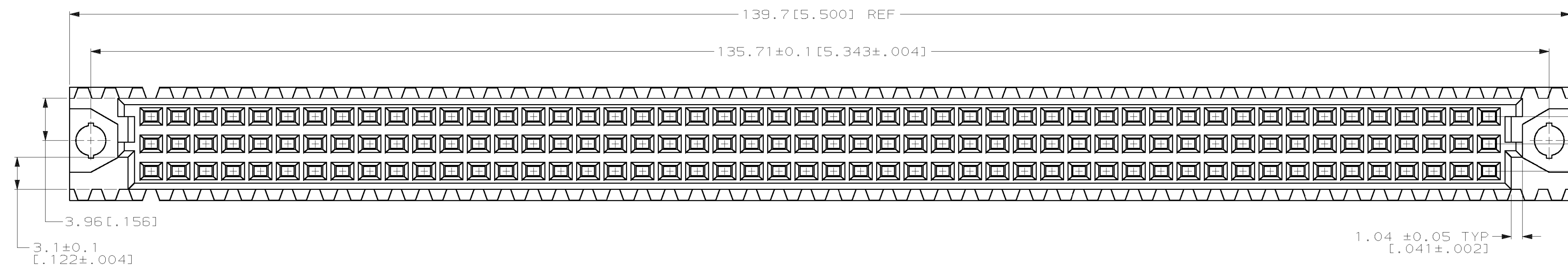
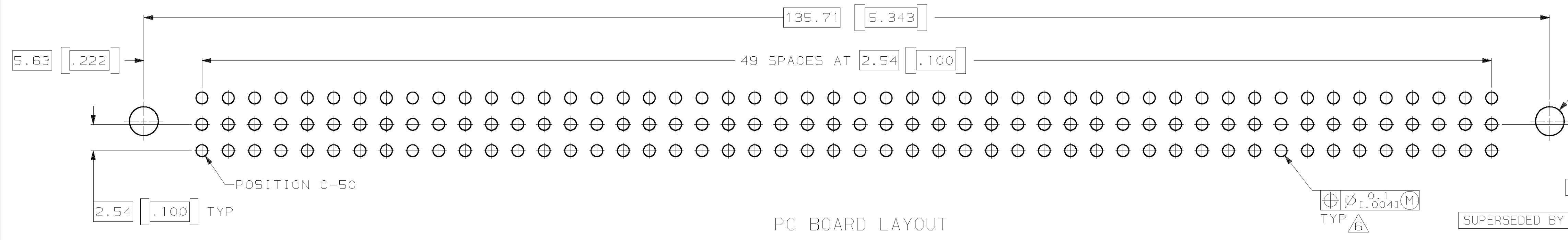
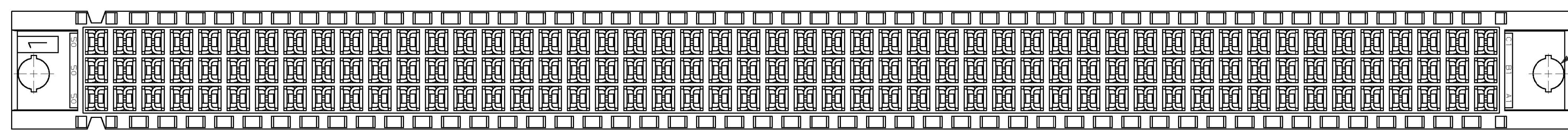
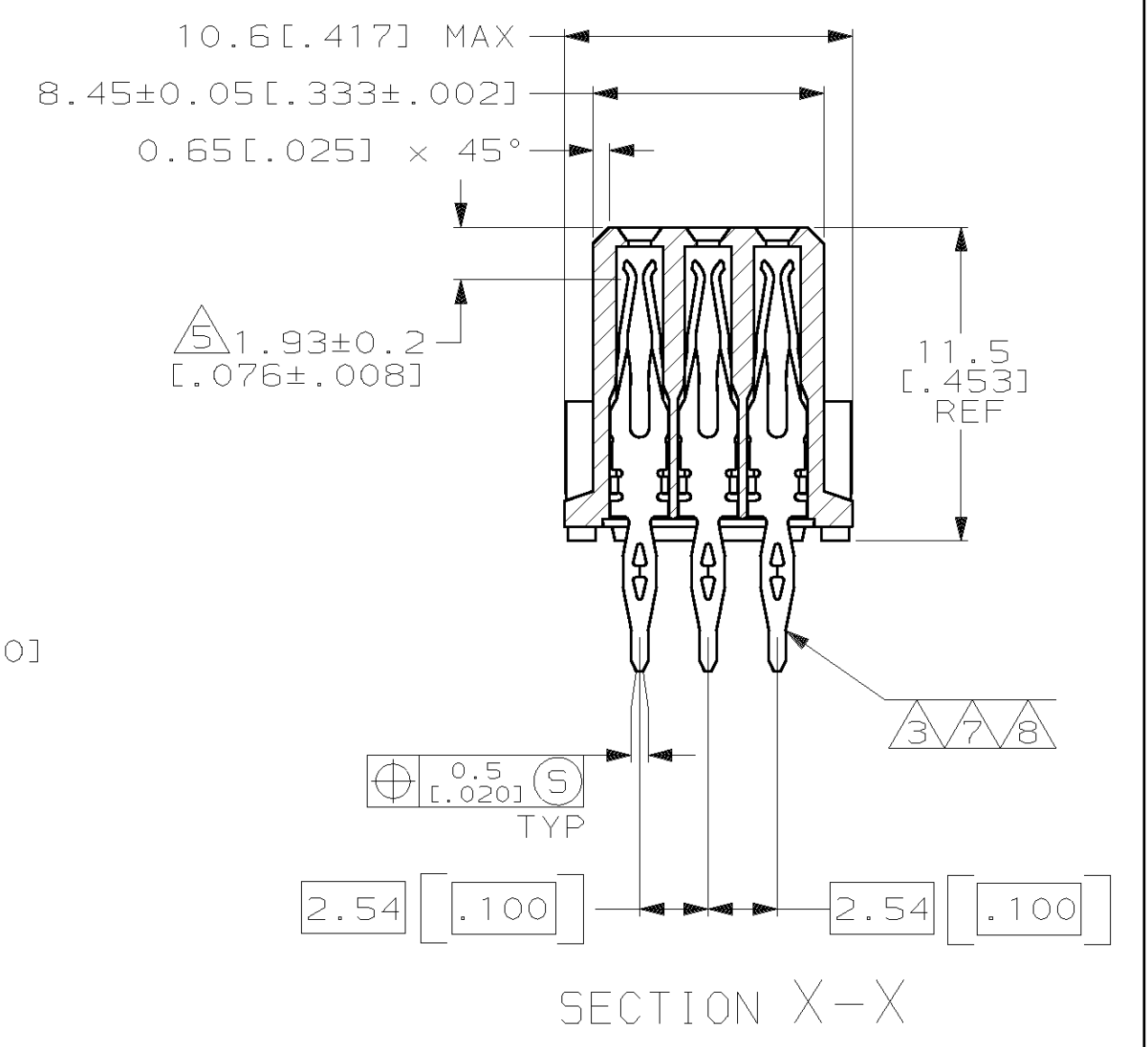
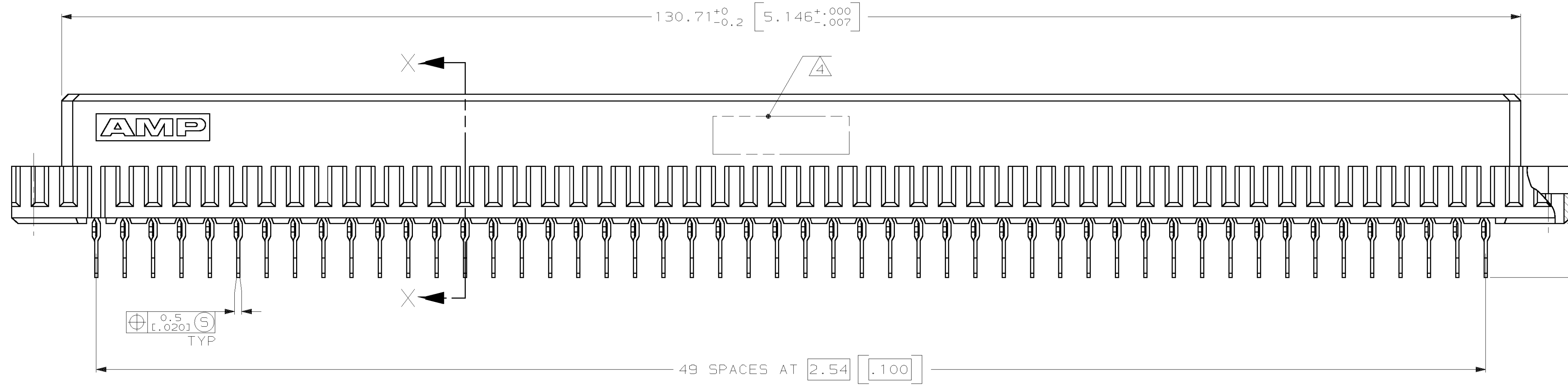


LOC	DIST	P	F	ZONE	LTR	DESCRIPTION	DATE	APPD
AD	25				H	EC 0010-1434-95	1/18/96	RAP
					J	EC 0010-1486-95	4/1/96	CR
					K	REV PER EC OUTB-0367-00	04 JAN 01	CR



- ① HOUSING MATERIAL: GLASS-FILLED POLYESTER. COLOR: GRAY.
- ② CONTACT MATERIAL: PHOSPHOR BRONZE.
- ③ CONTACT FINISH: 0.00076 [0.00030] GOLD IN CONTACT AREA. 0.00127 [0.00050] NICKEL UNDERPLATE ALL OVER. TIN-LEAD ON POSTS.
- ④ PART NUMBER, DATE CODE IDENTIFICATION, CSA LOGO IN THIS APPROXIMATE AREA.
- ⑤ POINT OF MEASUREMENT FOR GOLD.
- ⑥ ACTION PIN POSTS REQUIRE 1.57 [0.062] MIN THICK PC BOARD. RECOMMENDED PC BOARD HOLES ARE Ø1.151 ± 0.02 [0.0453 ± .001] DRILLED HOLE WITH 0.02-0.07 [0.001-.003] COPPER AND 0.008 [0.0003] MIN TIN-LEAD PLATING. FINISHED HOLE AFTER PLATING, Ø0.94-1.09 [0.037-.043].
- ⑦ CONTACT FINISH: DIN 41612 CLASS 3 IN CONTACT AREA. 0.00127 [0.00050] NICKEL UNDERPLATE ALL OVER. TIN-LEAD ON TAILS.
- ⑧ CONTACT FINISH: DIN 41612 CLASS 2 IN CONTACT AREA. 0.00127 [0.00050] NICKEL UNDERPLATE ALL OVER. TIN-LEAD ON TAILS.



NOTES	POSITIONS LOADED	C B A			NO. OF LOADED POSITION	ASSY PART NUMBER	
		ROWS LOADED					
OBSELETE	⑦	1 THRU 50	X	X	X	150	535080-9
SUPERSEDED BY 535080-5	⑧	1 THRU 50	X	X	X	150	535080-5
	③	1 THRU 50	X	X	X	150	535080-4

DO NOT SCALE PRINT. UNLESS SPECIFIED DIMENSIONS IN mm [INCHES] TOLERANCES ON: 1 PLC DEC ± - 2 PLC DEC ± 0.13 [0.005] ANGLES ± -	DR L. BRINER 2/16/89	AMP INCORPORATED Harrisburg, Pa. 17105			
HSG ③	CHK R.L. BRANDT 7/13/94				
CONT ③	APPD R.L. BRANDT 7/13/94	EUROCARD, RECEPTACLE ASSEMBLY, TYPE "C", TOOLLESS PRESSFIT			
FINISH CONT ③/⑦/⑧	APPD R.L. BRANDT 7/13/94	SIZE D	CAGE CODE 00779	DRAWING NO 535080	SHEET 1 OF 1
	APPLICATION SPEC -	WEIGHT -	SCALE 4:1		