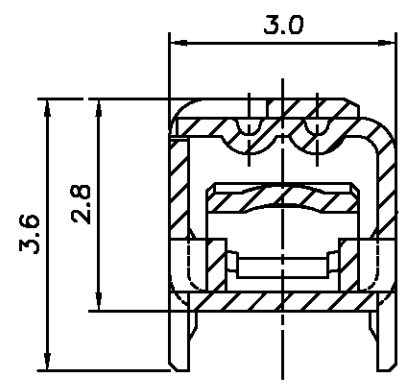
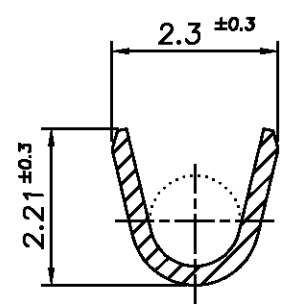
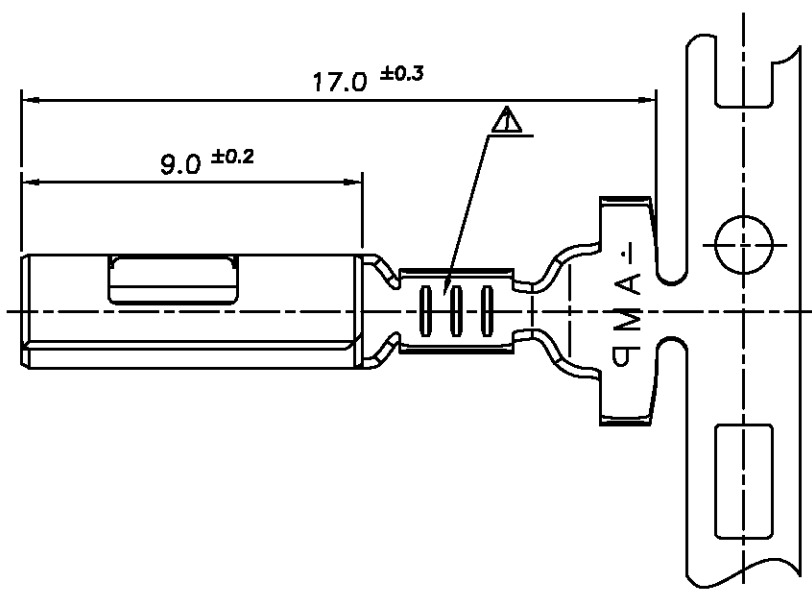


THIS DRAWING IS UNPUBLISHED. RELEASED FOR PUBLICATION .1998 .  
 © COPYRIGHT 1998 BY AMP KOREA. ALL RIGHTS RESERVED.

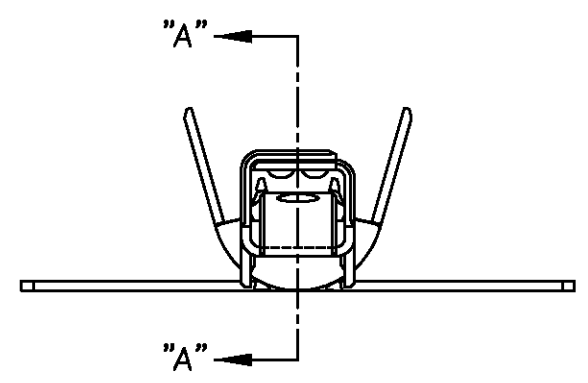
LOC		DIST		REVISIONS			
P	LTR	DESCRIPTION		DATE	DWN	APVD	
	0	RELEASED	PER ECN FC00-0107-98	30.NOV'98	YM	CS	



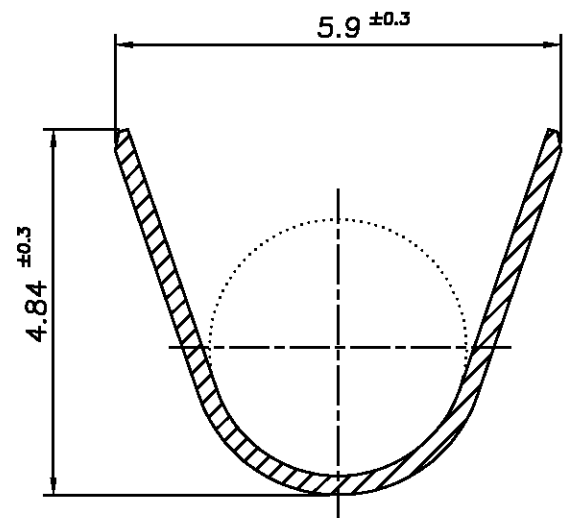
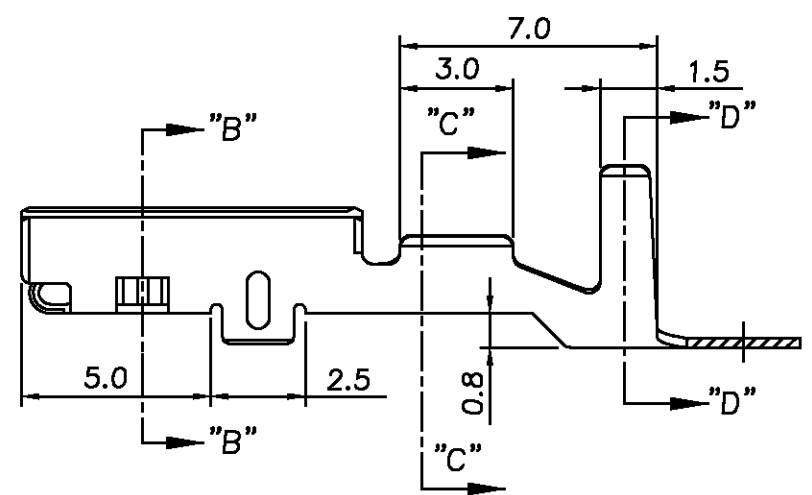
SECTION "B-B"  
scale 10/1



SECTION "C-C"  
scale 10/1



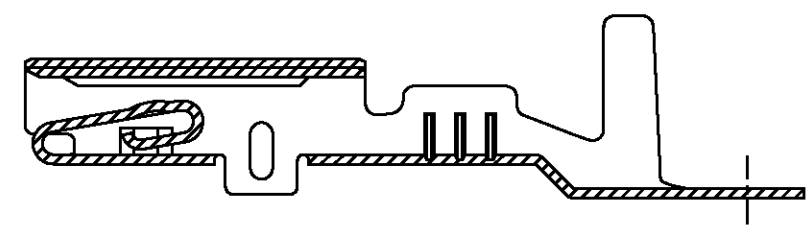
SECTION "A-A"



SECTION "D-D"  
scale 10/1

\* NOTES

△ THREE SERRATIONS CENTERED IN WIRE BARREL.  
 2 WIRE SIZE EQUIV AVSS 0.3 ~ AVS 0.5sqmm.



<small>THIS DRAWING IS CONTROLLED DOCUMENT FOR AMP KOREA. IT IS SUBJECT TO CHANGE AND THE CONTROLLING ENGINEERING ORGANIZATION SHOULD BE CONTACTED FOR THE LATEST REVISION.</small>		DWN	YM CHOI	30.NOV'98	<b>AMP</b> AMP KOREA. kyungsan, korea
DIMENSIONS: MM		CHK	BM JANG	30.NOV'98	
		APVD	CS LEE	30.NOV'98	
TOLERANCES UNLESS OTHERWISE SPECIFIED: 0 <XX<10 ± 0.2 10<XX<30 ± 0.25 ANGLES ± 3°		PRODUCT SPEC 108-61034		NAME .090 II SEALED RECEPTACLE	
MATERIAL BRASS STRIP 0.25THK.		APPLICATION SPEC 114-		SIZE A3	
FINISH PRE-TINNED		WEIGHT 0.34gf		CAGE CODE 00779	
				DRAWING NO 3 6 8 2 8 7	
				SCALE 5/1 SHEET 1 OF 1 REV 0	