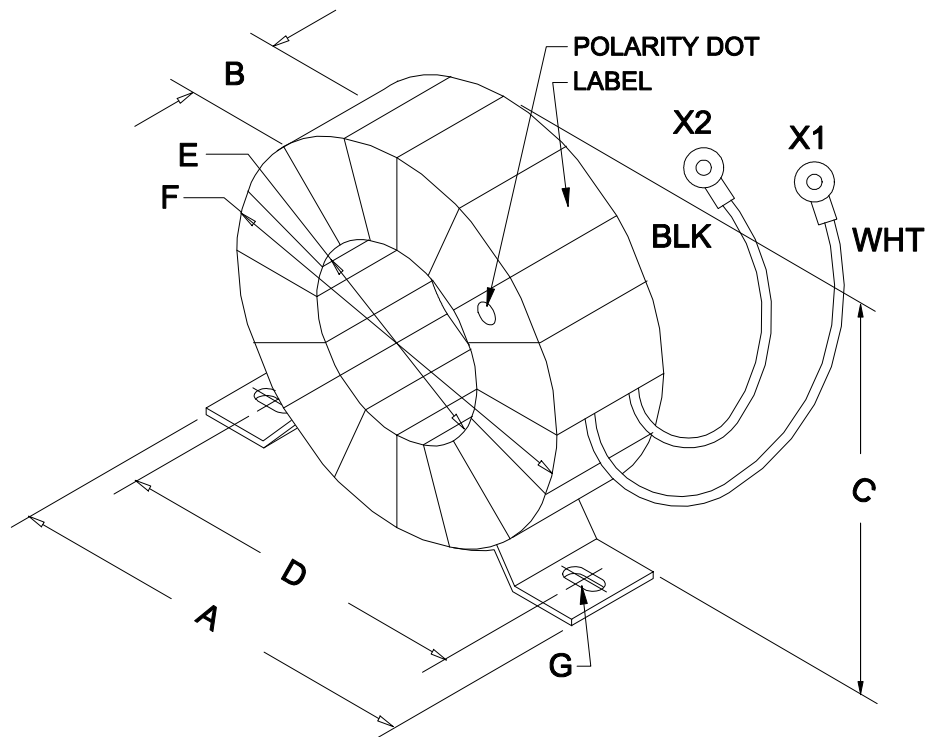
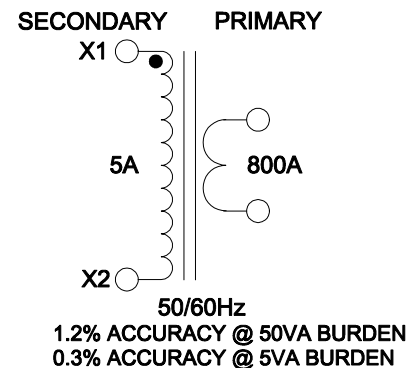


DIMENSIONS:	
A	6.00" ±0.063
B	1.75" REF.
C	5.50" ±0.125
D	5.25" ±0.063
E	3.50" MIN.
F	5.75" REF.
G	0.281" X 0.375" ±0.015



NOTE: ALL LEADS 24" OUT MIN.



ELECTRICAL DATA:		
TESTS	CONDITIONS	ACCEPTANCE CRITERIA
I _{ex}	@ 10.7V, 60Hz, WHT - BLK	60mA Max.
DCR	@ 20°C, WHT - BLK =	0.154 Ω ±20%
HIPOT	WINDING - GROUND	2500V, 60Hz, 1 SEC
	WINDING - WINDOW	4000V, 60Hz, 1 SEC

REV.#	REVISION	DATE	HAMMOND ELECTRONIC DIVISION	
0	RELEASED. C.I.	11/05/15	52 RANKIN PLACE, WATERLOO, ONTARIO, N2J 3Z5	
			PH # (519) 886-6181	FAX # (519) 886-9540
			DWG. BY: C. ILIE	CHK'D BY:
			DATE: 11/05/15	APP'D. BY:
			TITLE: POWER TRANSFORMER	
			DIMENSIONS: IN(X) MM()	
			DWG. NO. CT800A	