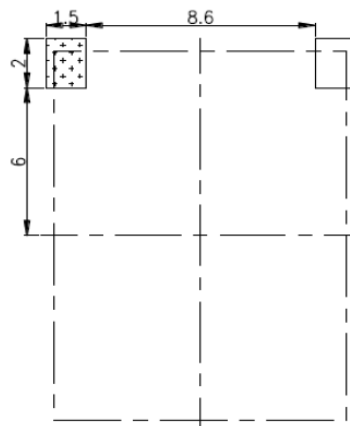
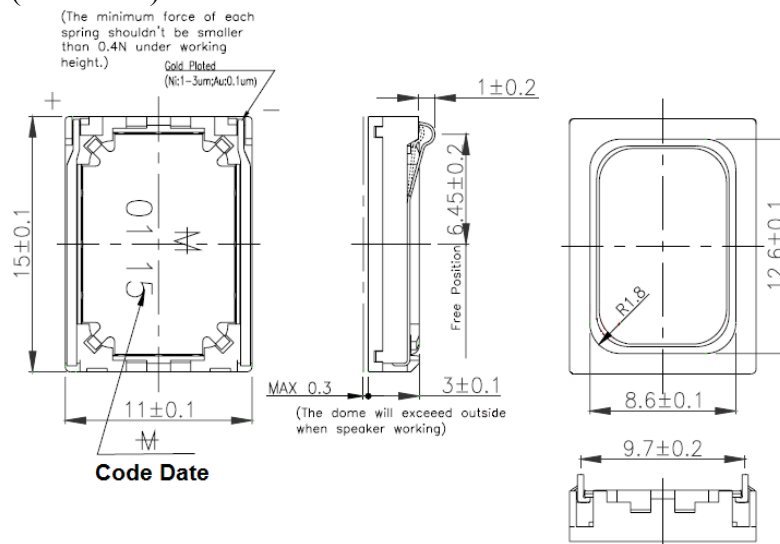
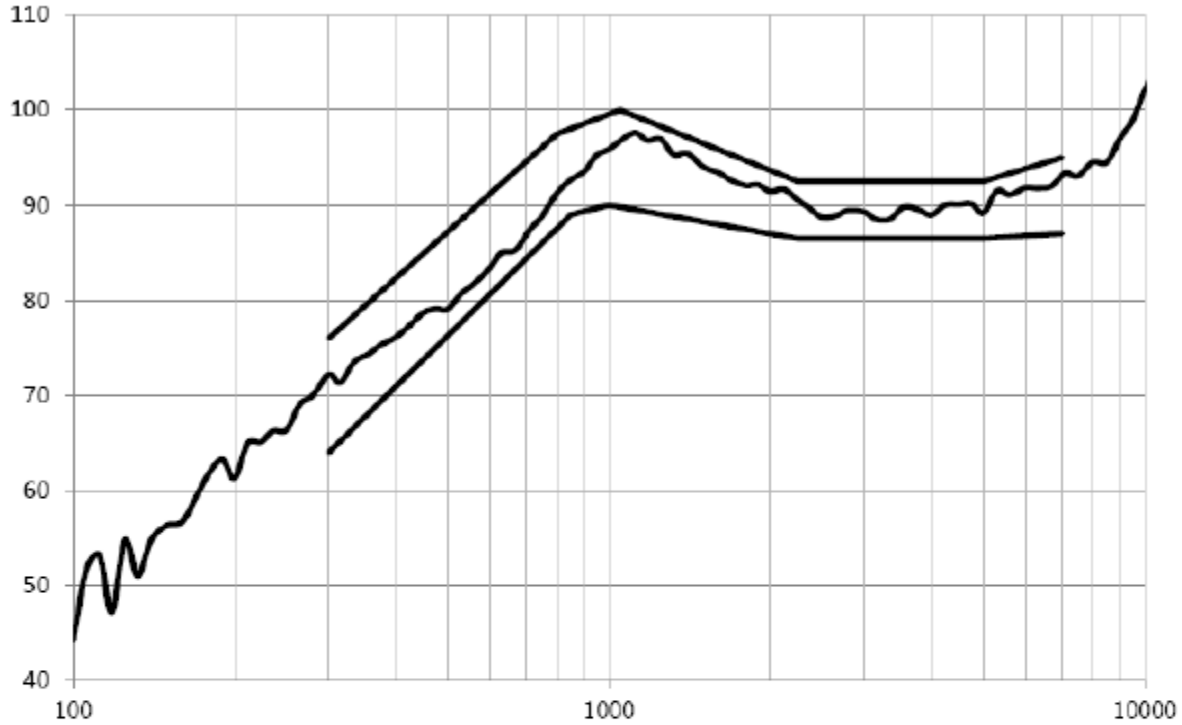


Specifications: NOT FOR NEW DESIGNS

Impedance (Ω)	$8 \pm 15\%$ at 2000 Hz at 1.0 V
Rated Power (W)	0.7
Max Power (W)	1.0
Resonance Freq Fo (Hz)	$500 \pm 20\%$ at 1.0V $830 \pm 15\%$ at 1.0V in 1cc closed box
Frequency Range (Hz)	Fo ~ 7000
Output S.P.L. (dB)	92 ± 3 at 0.7w/0.1m 3.0kHz in 1cc closed box 73 ± 3 at 1w/1m 3.0kHz in 1cc closed box
Magnet	Nd-Fe-B
Frame Material	PPA
Operating / Storage Temp	-20 to 60°C/ -40 to 85°C
Weight (g)	1.4
Options	For other options contact factory

Dimensions: ± 0.2 (units: mm)**ROHS Compliant****Recommended PCB Layout**

TYPICAL FREQUENCY RESPONSE CURVE**Table 1: Tolerance Limits Data for FR**

Frequency (Hz)	Upper Limits (dB)	Frequency (Hz)	Lower Limits (dB)
300	76	300	64
800	97.5	850	89
1050	100	1000	90
2250	92.5	2250	86.5
5000	92.5	5000	86.5
7000	95	7000	87

DISTORTION CURVE

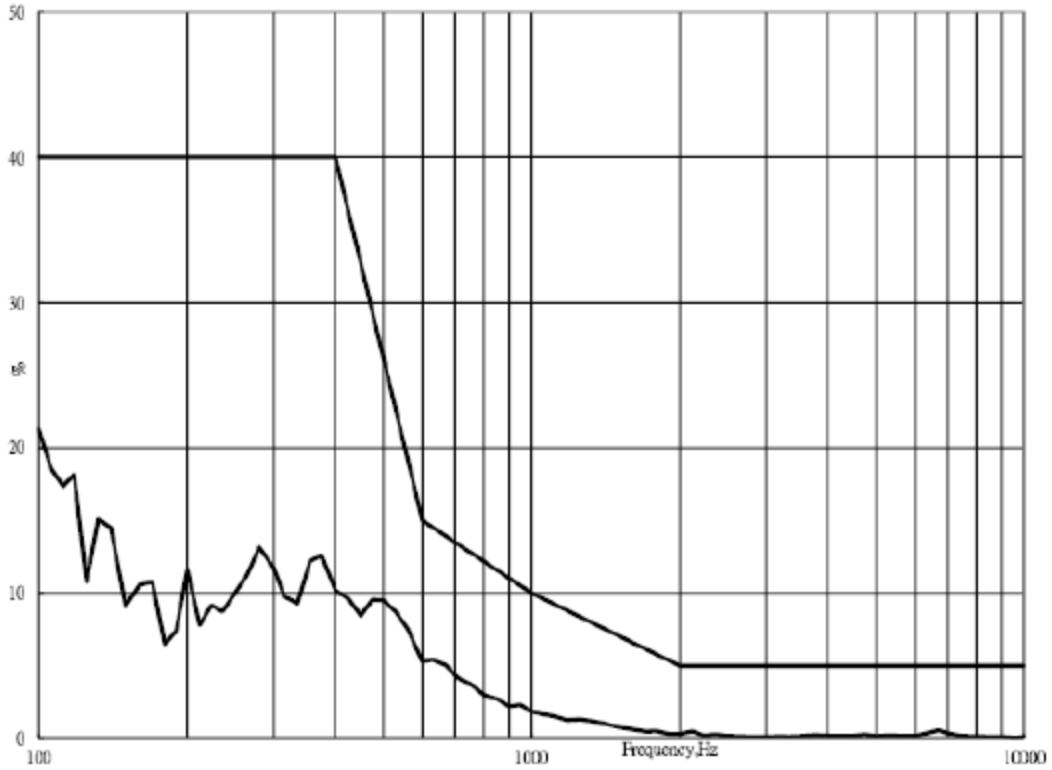


Table 2: Limits Date for THD

Frequency (Hz)	Limits (%)
100	40
400	40
600	15
1000	10
2000	5
10000	5