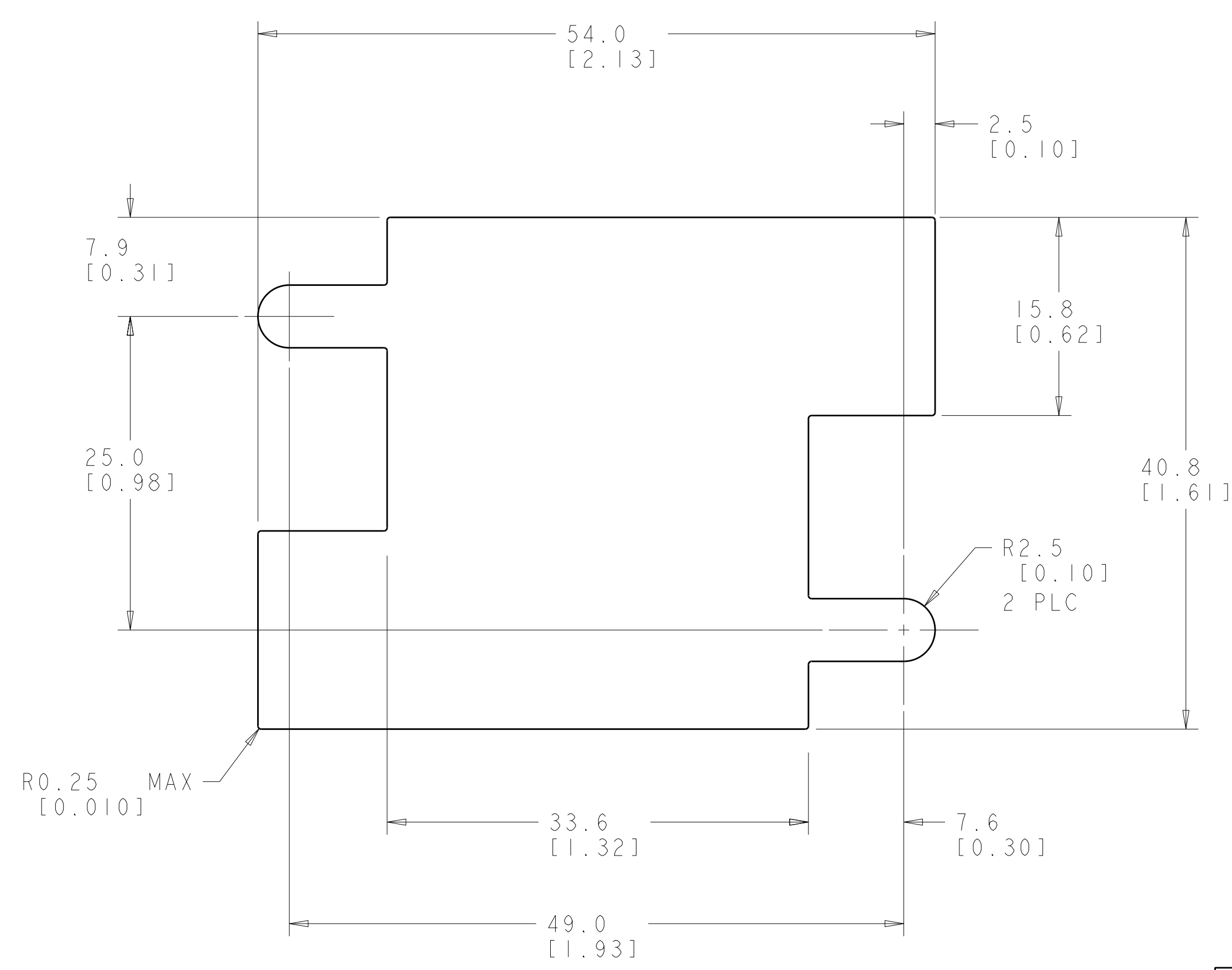
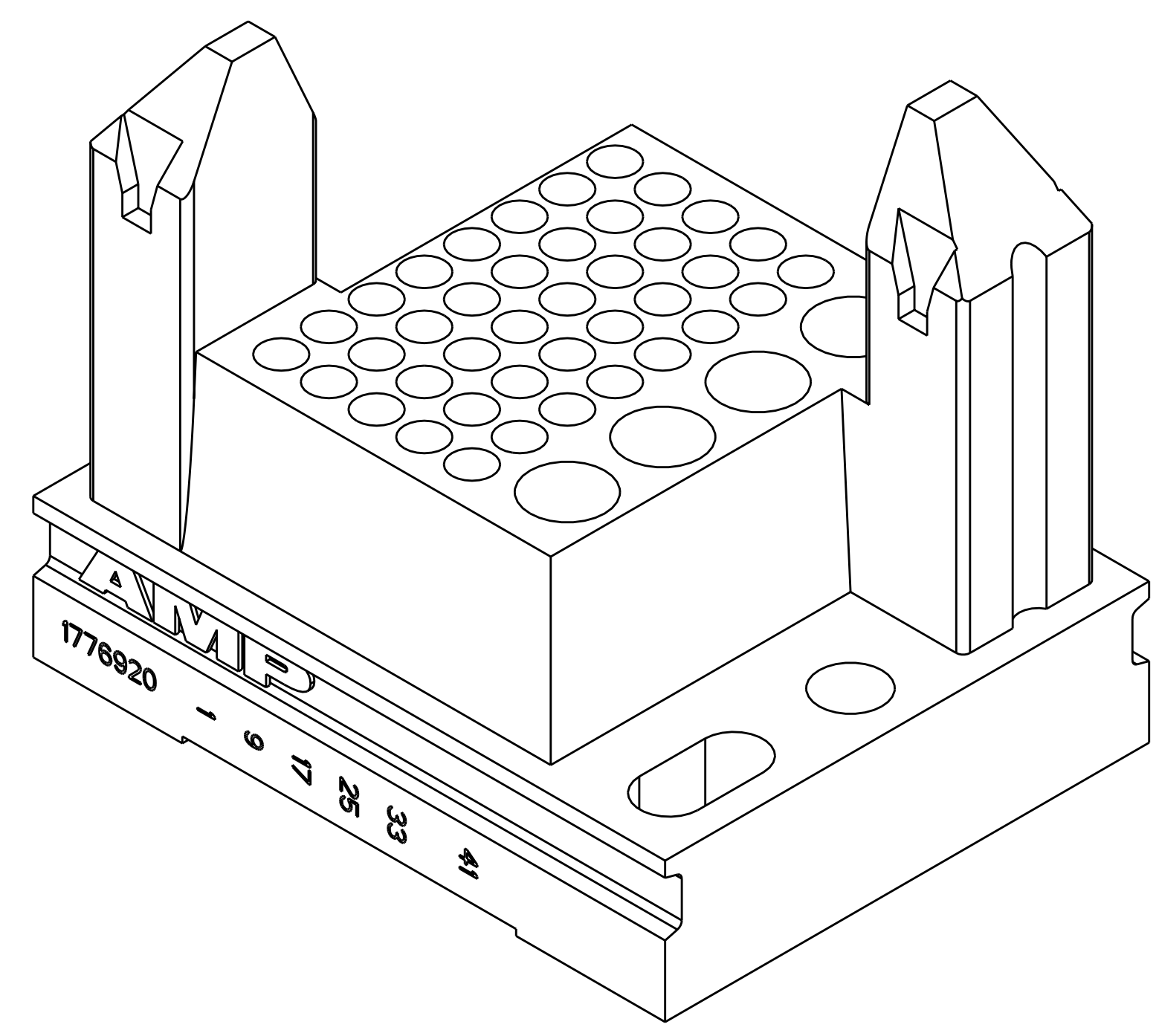
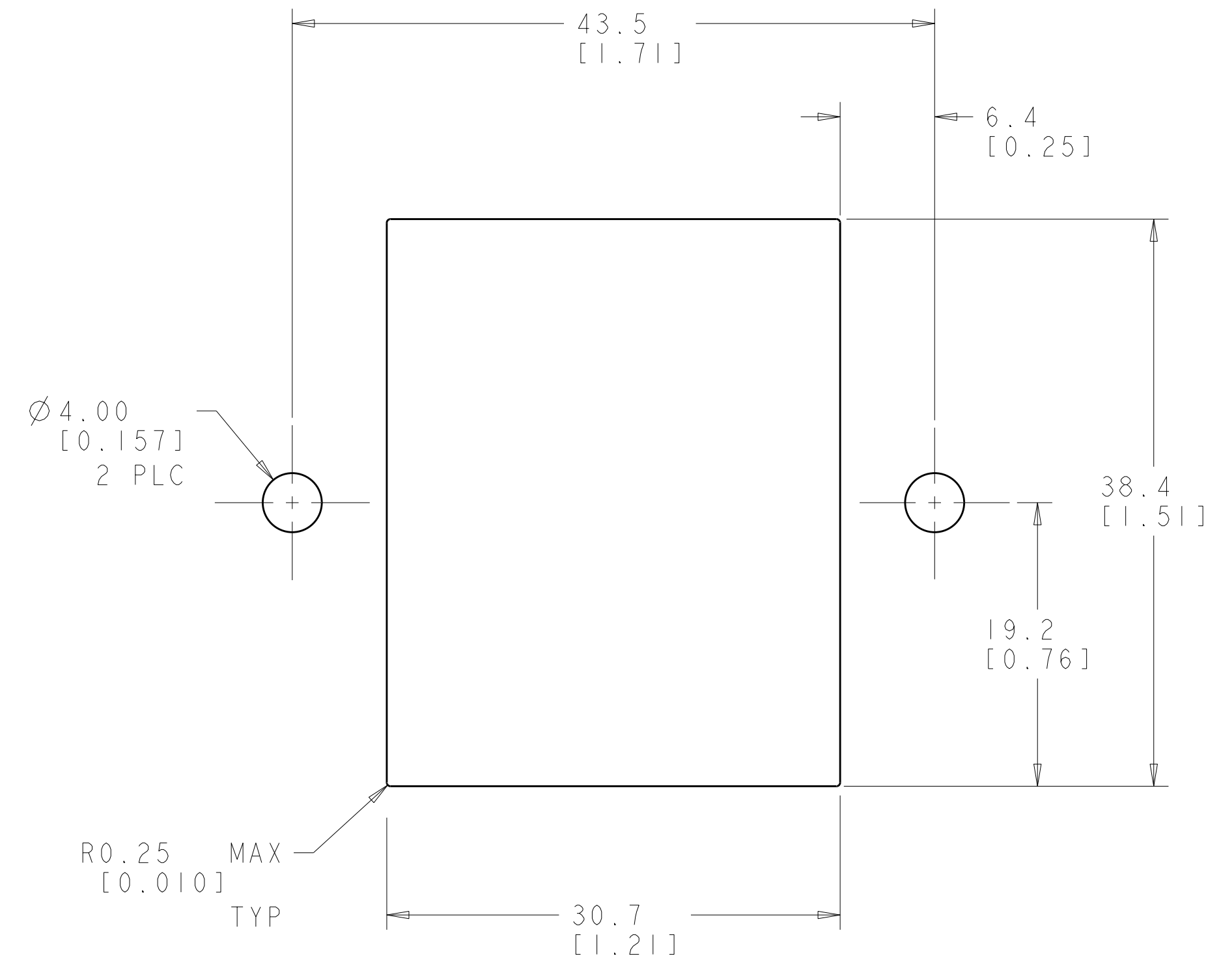
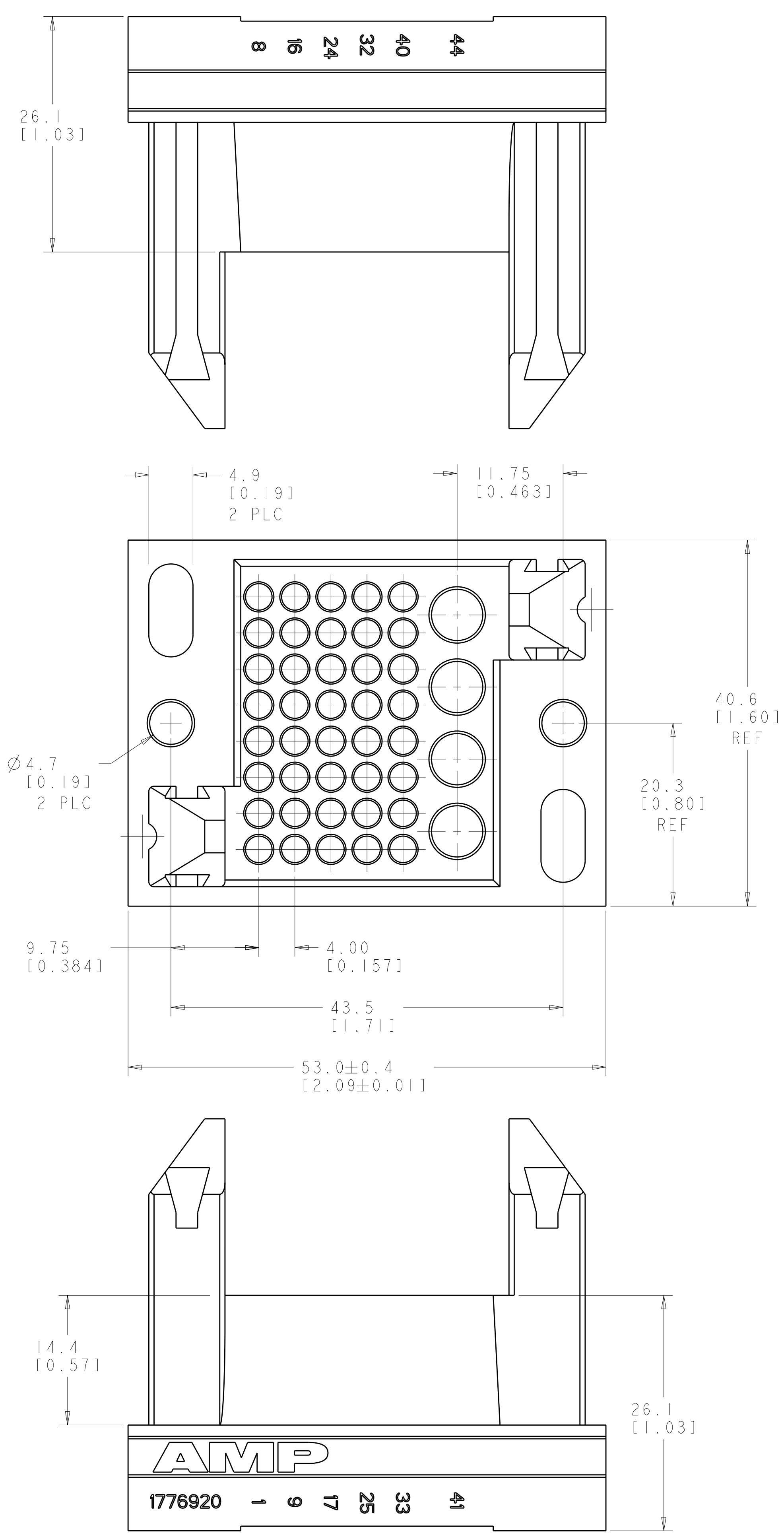


LOC	DIST	REV	DATE	BY	APPD
FT	0	A	200206	SW	GS



1. POSITIONS 1-40 ARE FOR SIZE 16 CONTACTS.
2. POSITIONS 41-44 ARE FOR 3mm CONTACTS.
3. INSERTS ARE NOT REQUIRED WHEN FLOAT MOUNTING.
4. ALL DIMENSIONS EXCEPT PANEL CUTOUTS ARE FOR REFERENCE ONLY.

1776920-1  
PART NUMBER

DIMENSIONS: mm 		TOLERANCES UNLESS OTHERWISE SPECIFIED: 9 PLC ± 8 PLC ± 5 PLC ± 4 PLC ± ANGLES ±		DWN S. WELDON 200206 CHK G. STEINHAUER 200206 APVD G. STEINHAUER 200206		NAME PLUG HOUSING, 44 POSITION, Multi Pin Plus, AMPPOWER	
MATERIAL		FINISH		WEIGHT		SIZE CAGE CODE DRAWING NO. RESTRICTED TO	
				A 00779 C=1776920		SCALE 3:1 SHEET 1 OF 1 REV A	