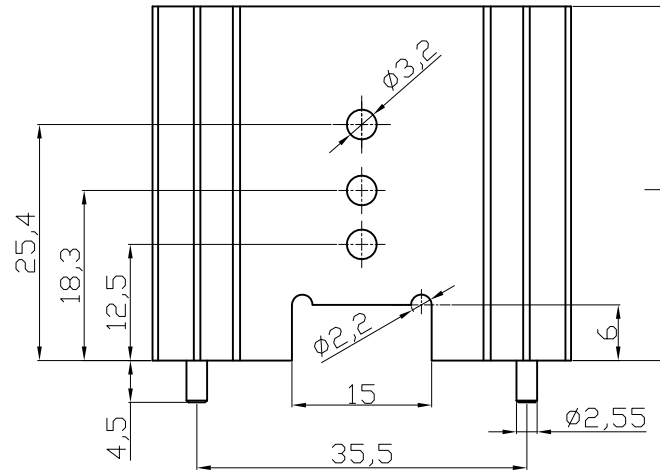
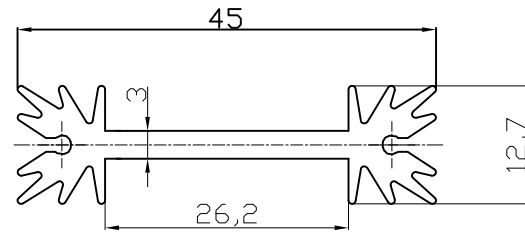


V7466W




V7466X/Y/Z



Material : AL 6063-T5
Finished: Black Anodized

Option	L	Thermal resistance(K/W)
V7466W	25.4	8.2
V7466X	38.1	7
V7466Y	50.8	6.2
V7466Z	63.5	5.6

RoHS compliant
Unit: mm

Scale	FREE						Date	Name
TOLERANCE						Drawn	31.10.2008	Storb
X.	±X	④	Change production plant	07.06.2013	Amy	Approved	07.06.2013	Amy
X.X	±X	③	Modify drawing layout	08.03.2010	Dean			
UNIT	±0.2	②	Update	11.08.2009	Dean			
DIM	Tol	①	Drawn	11.08.2009	Storb			
X.°	±X°							
X.X°	±X°							
Angle	TOL	Id.	Modification	Date	Name			

Customer-No.

ASSMANN WSW-No.

V7466x

Drawing-No.

ASS 0527 HS rev04

Replace Sheet

RoHS compliant
Unit: mm

