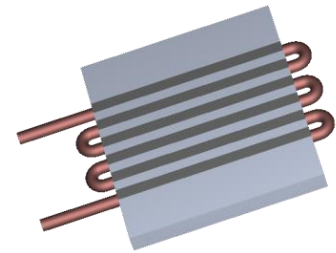


Full Buried Tube Liquid Cold Plates

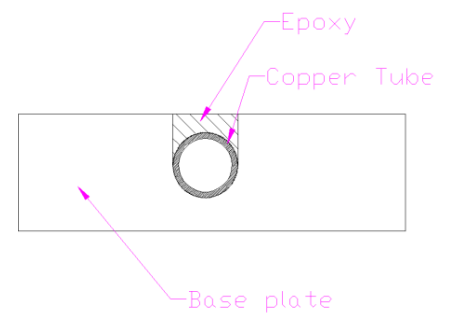
Wakefield- Vette's fully buried tube liquid cold plates have the ability to cool both sides of the cold plate because of its positioning within the base plate. Another key feature of the fully buried tube is that it is not exposed to the outside environment. Some engineers prefer the epoxy layer above the tube to protect the tube from leakage.

Key Specifications:

- Base Plate: Extruded Aluminum
- Copper Tube Material: .375" OD x .049" wall
- Thermal Epoxy fill with high thermal conductivity

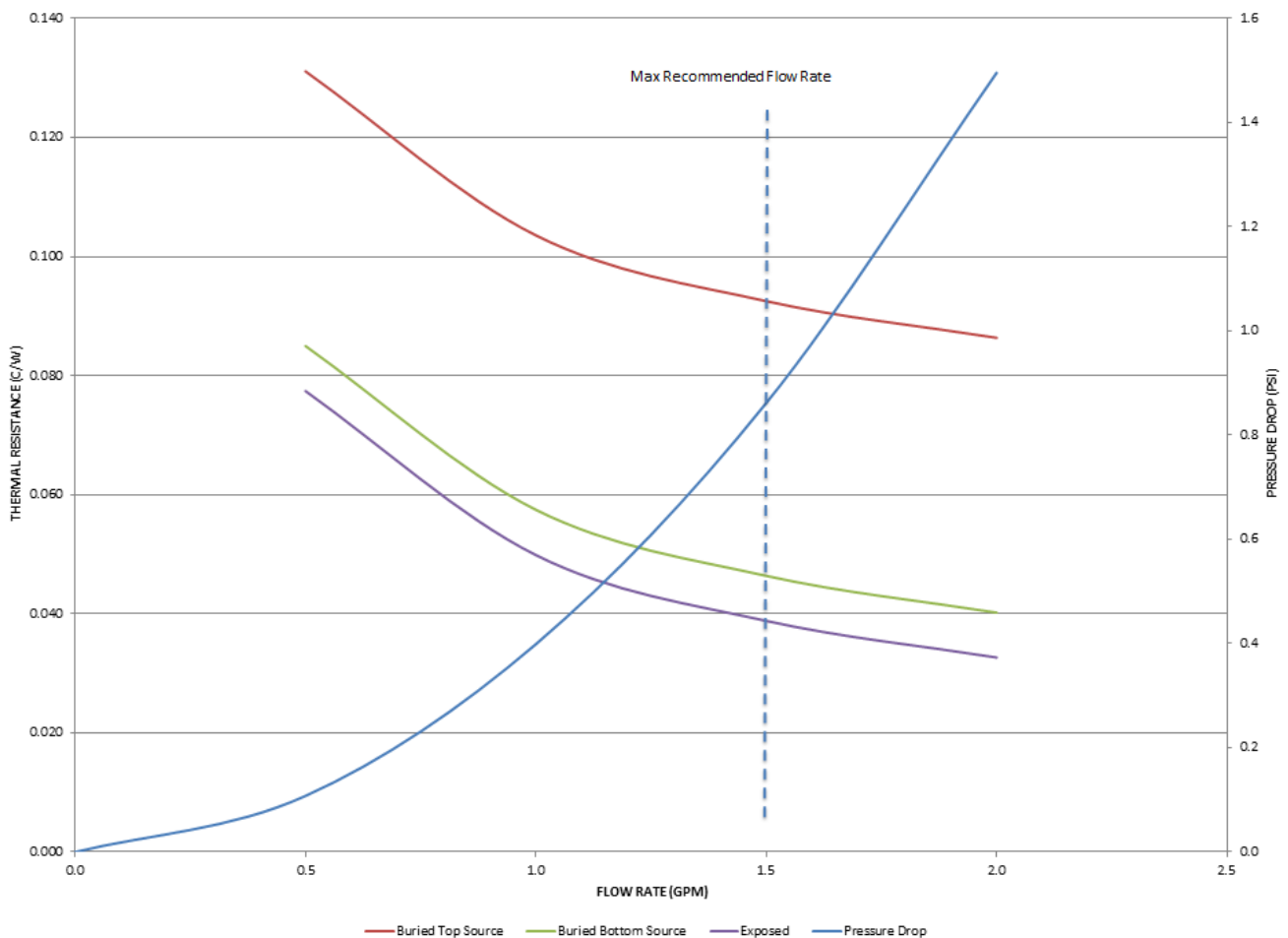


Part Number	Description	"X" Dimension Inches	Passes	Figure
120959	Fully Buried Tube 2- Pass Coldplate	N/A	2	1
120960	Fully Buried Tube 4- Pass Coldplate	6.00	4	2
120961	Fully Buried Tube 4- Pass Coldplate	12.00	4	2
120962	Fully Buried Tube 6- Pass Coldplate	6.00	6	3
120963	Fully Buried Tube 6- Pass Coldplate	12.00	6	4
120964	Fully Buried Tube 6- Pass Coldplate	24.00	6	5



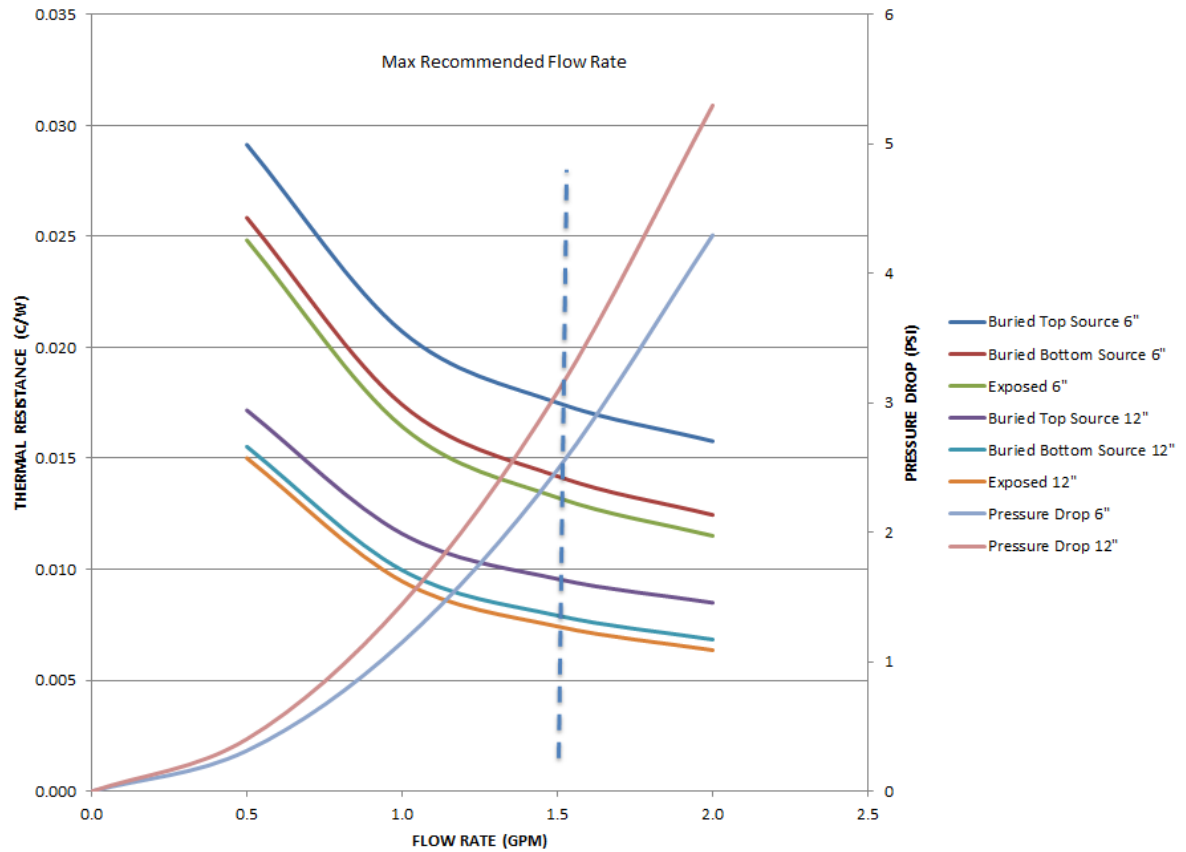
2 Pass

Thermal Performance:



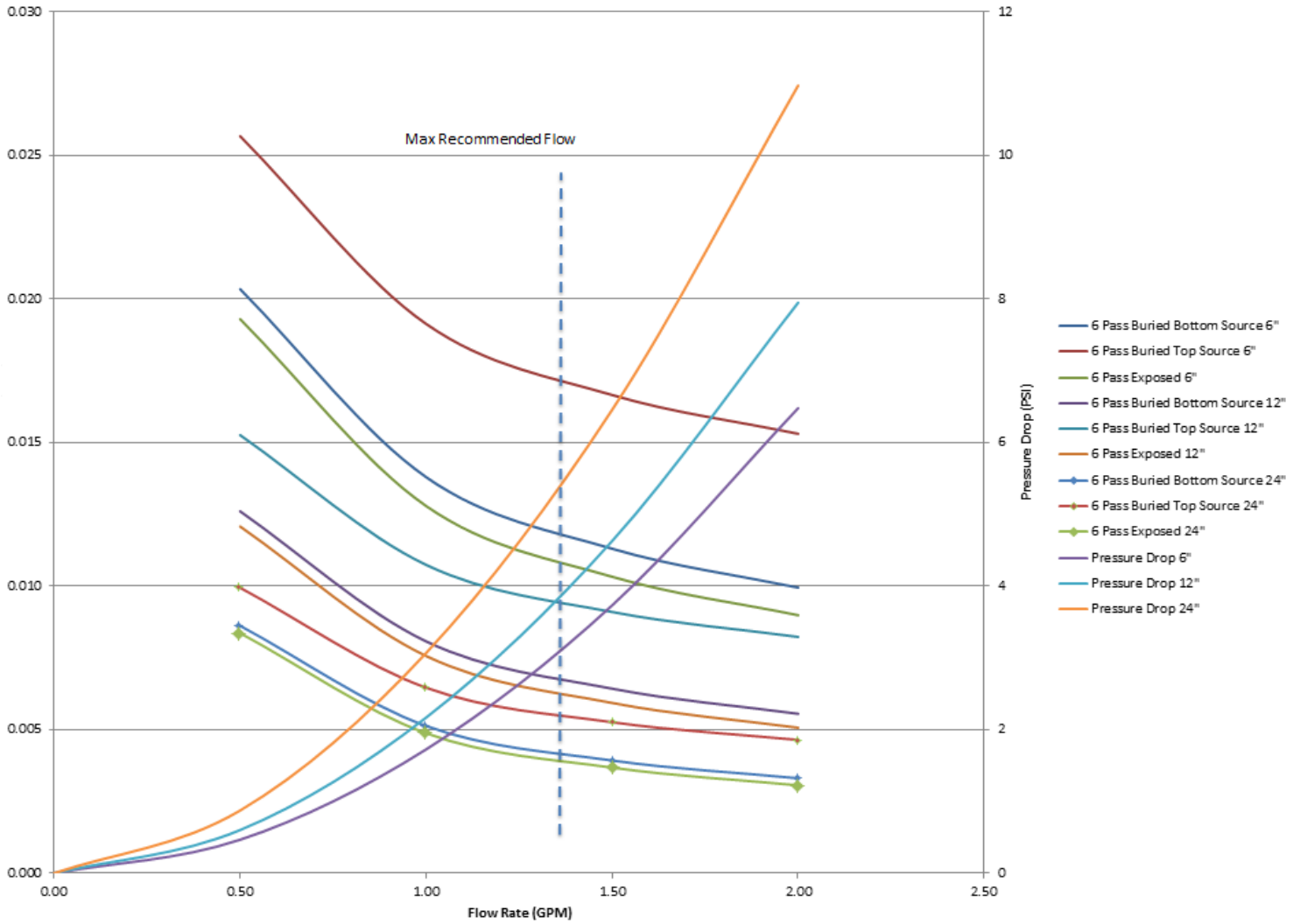
4 Pass

Thermal Performance:



6 Pass

Thermal Performance:



Full Buried Tube Liquid Cold Plates

Figure #1

- #120959

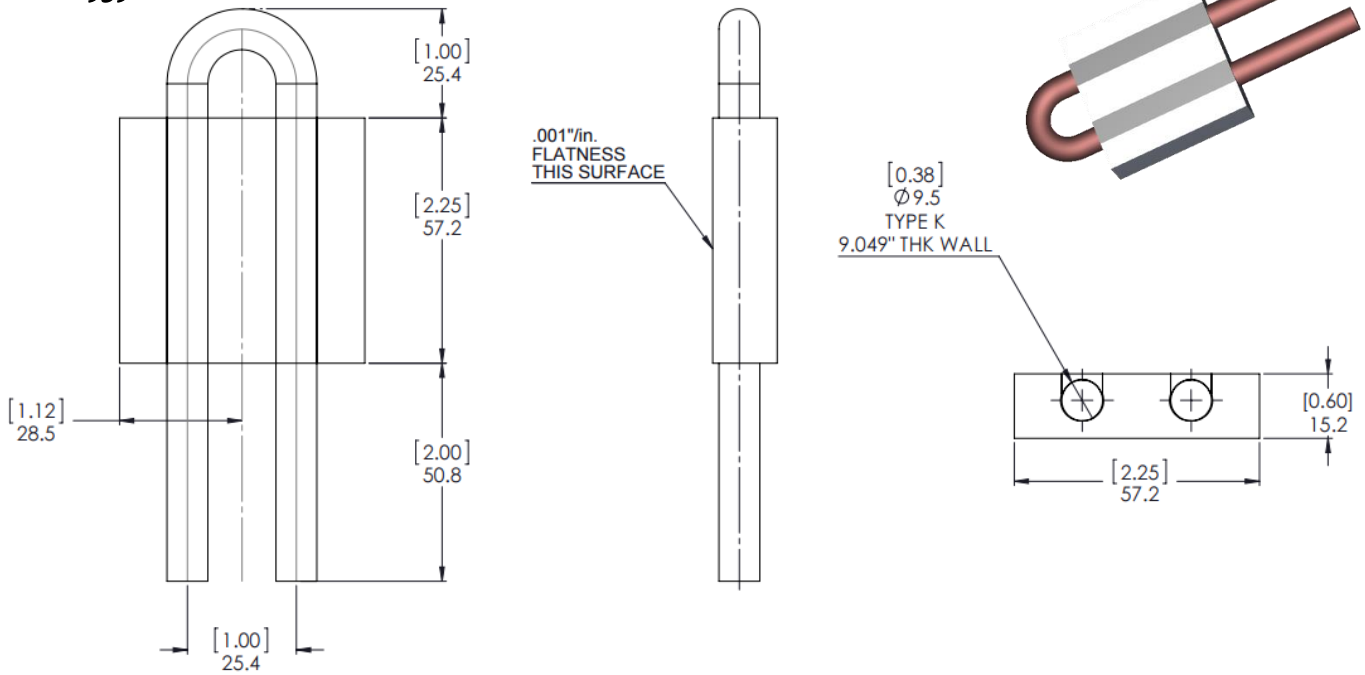
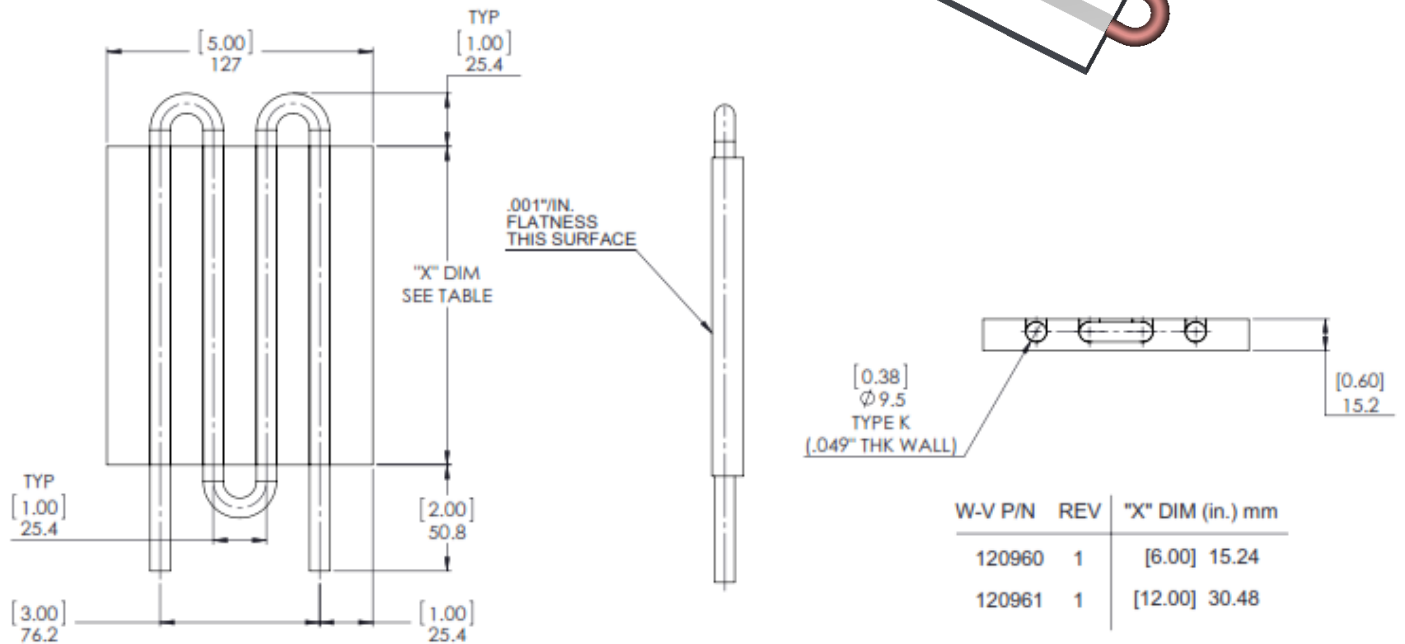


Figure #2

- #120960 & #120961



W-V P/N	REV	"X" DIM (in.) mm
120960	1	[6.00] 15.24
120961	1	[12.00] 30.48

Figure #3

- #120962

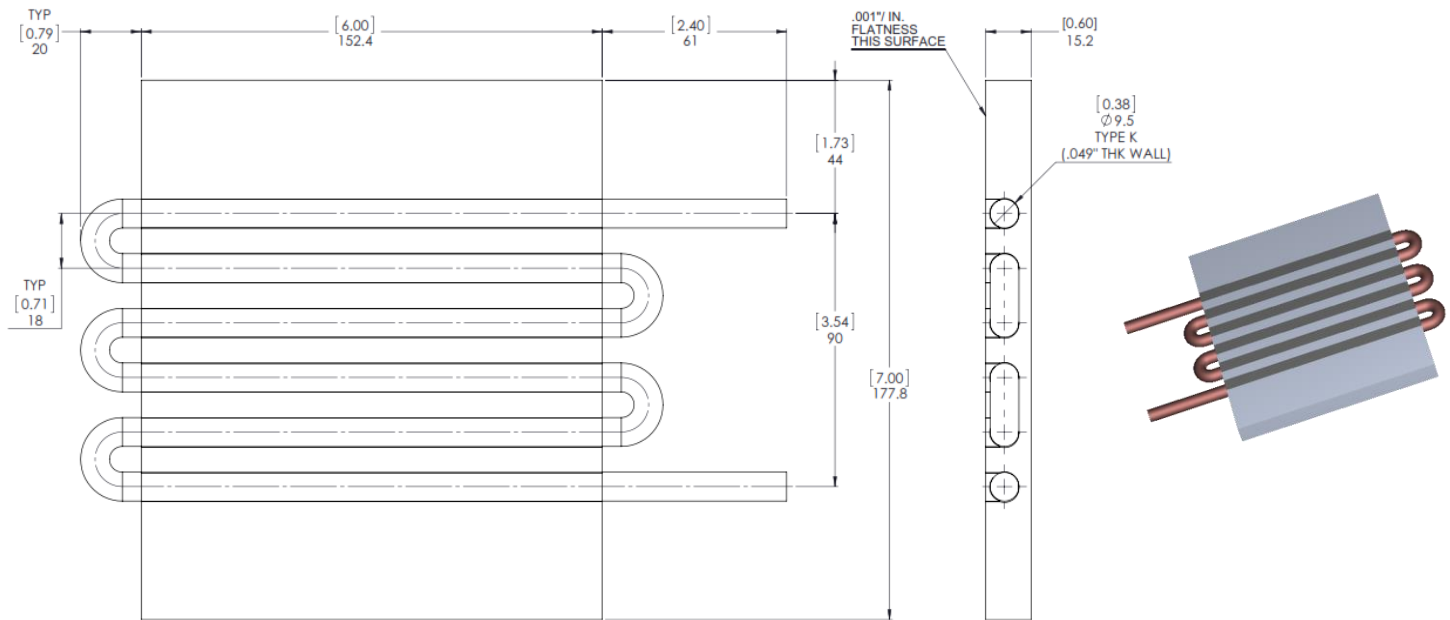


Figure #4

- #120963

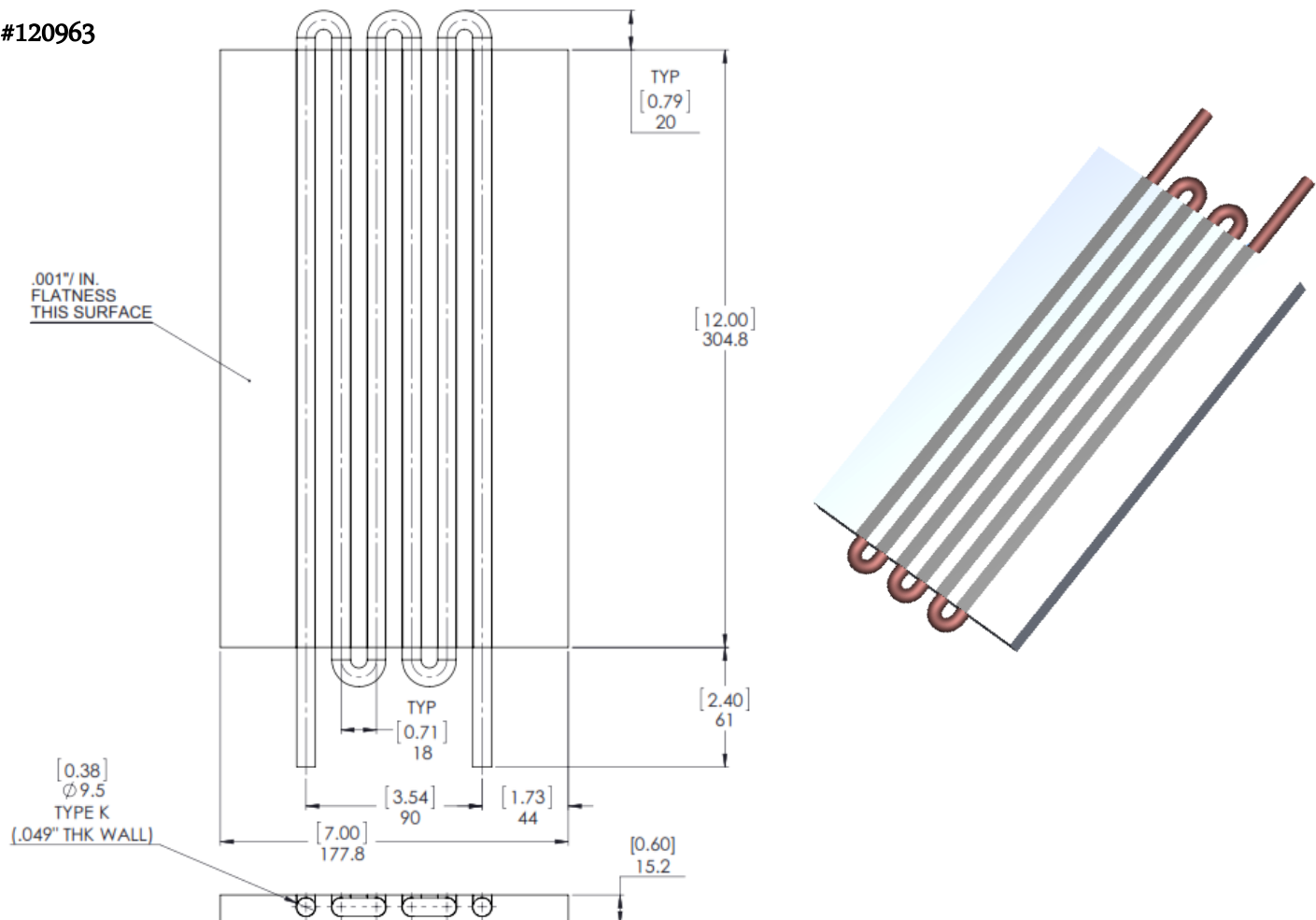
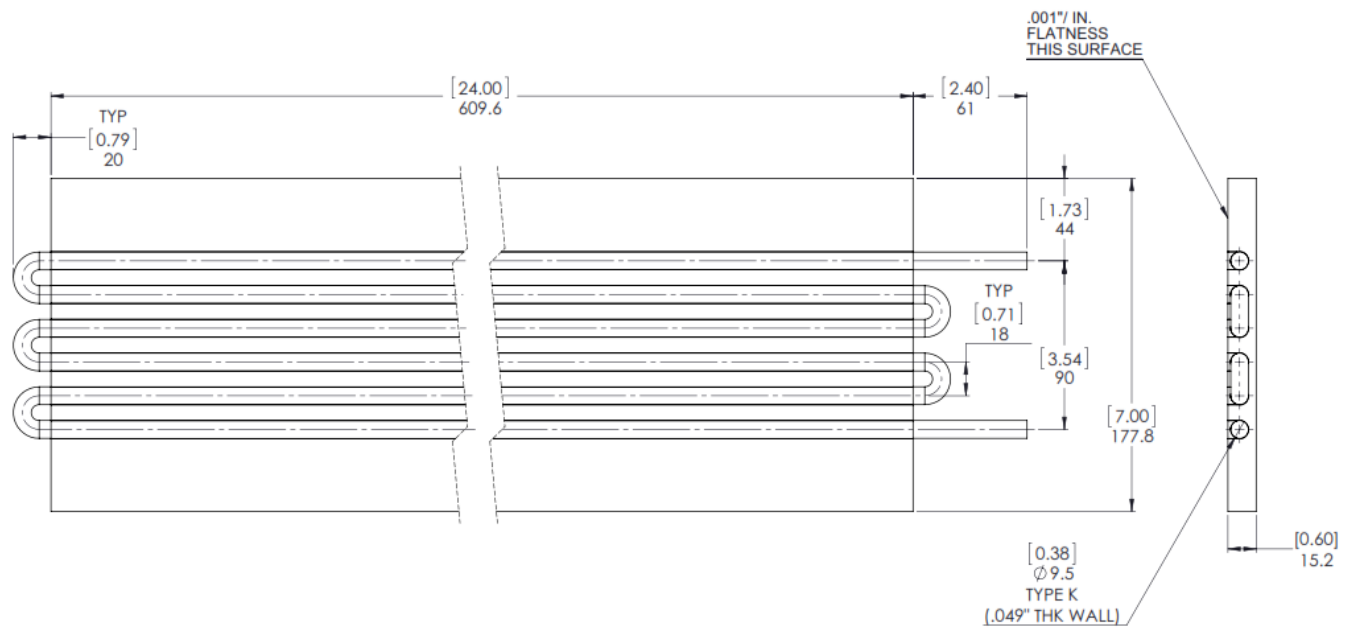
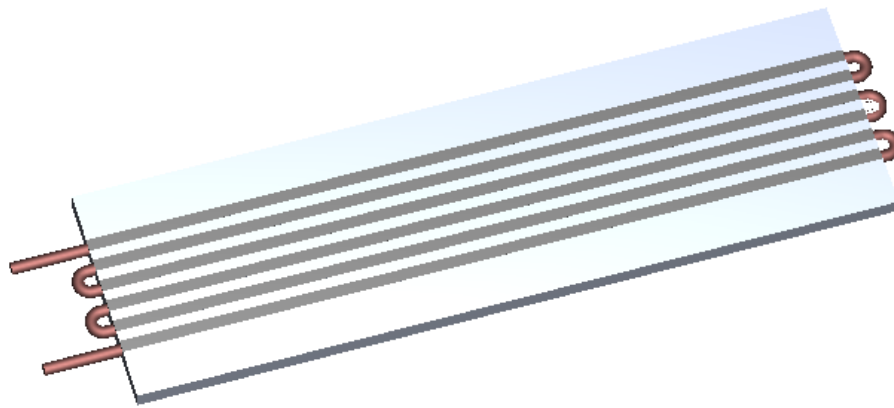


Figure #5

- #120964



Custom Full Buried Tube Liquid Cold Plates Available

Contact our Engineers:

Wakefield-Vette

603-635-2800

Communications@wakefield-vette.com

www.wakefield-vette.com