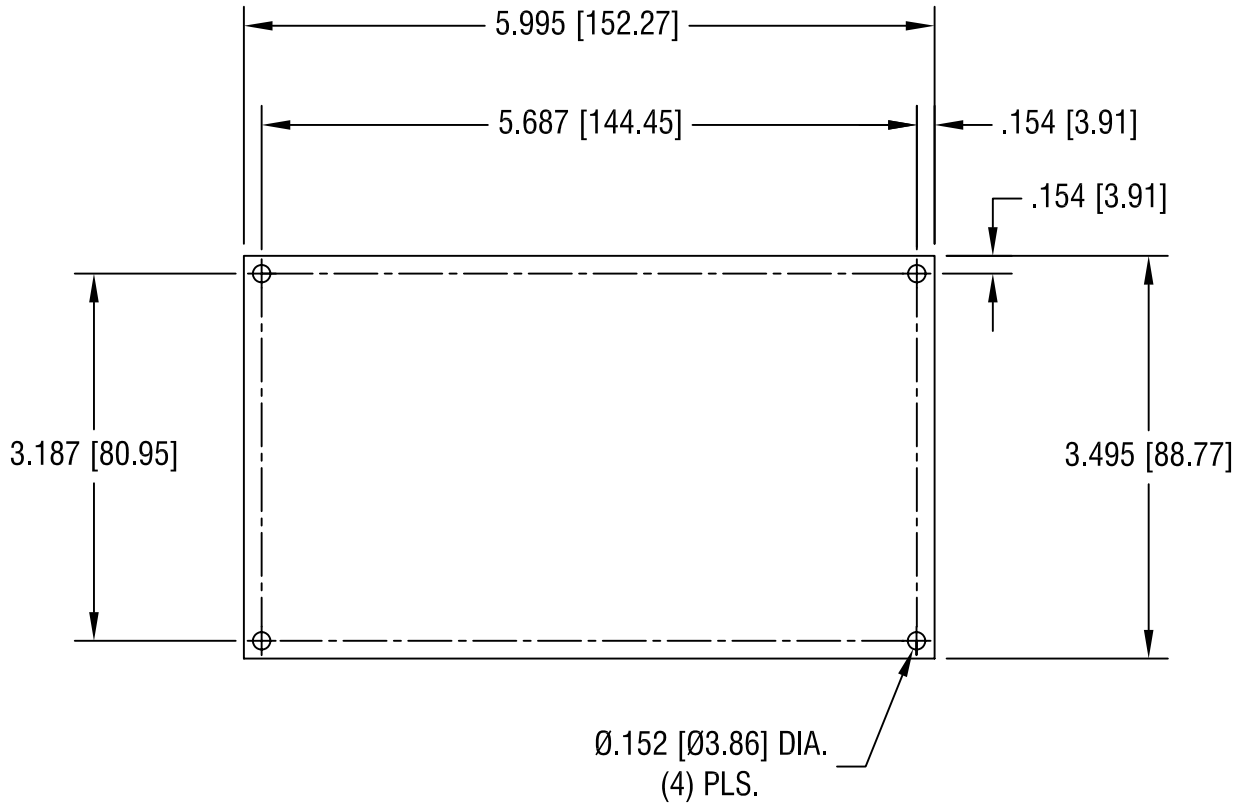


THIS DOCUMENT IS THE PROPERTY OF
KEYSTONE ELECTRONICS CORP. AND
SHALL NOT BE REPRODUCED, DISTRIBUTED
OR USED AS A BASIS FOR MANUFACTURE
WITHOUT PRIOR WRITTEN PERMISSION
FROM KEYSTONE ELECTRONICS CORP.



KEYSTONE ELECTRONICS CORP.

ASTORIA, N.Y. 11105-2017

PART NAME

PANEL

MATERIAL

.093 [2.36] THK BLACK PHENOLIC

FINISH

-

DRN BY

NT

DATE

8.2.82

APP'D

LN

SCALE

.6X

TOLERANCES

INCH [MM]

CODE

DECIMAL $\pm .005$ [± 0.15]

ANGULAR $\pm 1^\circ$
UNLESS OTHERWISE SPECIFIED

C

DWG NO.

2037

8.24.07

CHANGED AS PER ECN 07-049

B

2.6.91

REVISED

A

DATE

DESCRIPTION

REV.