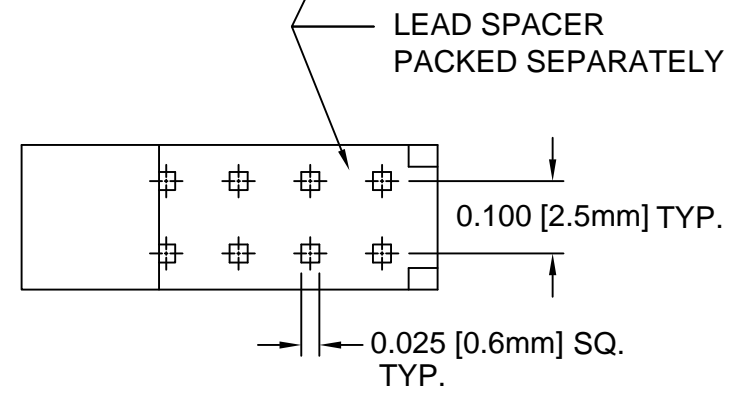
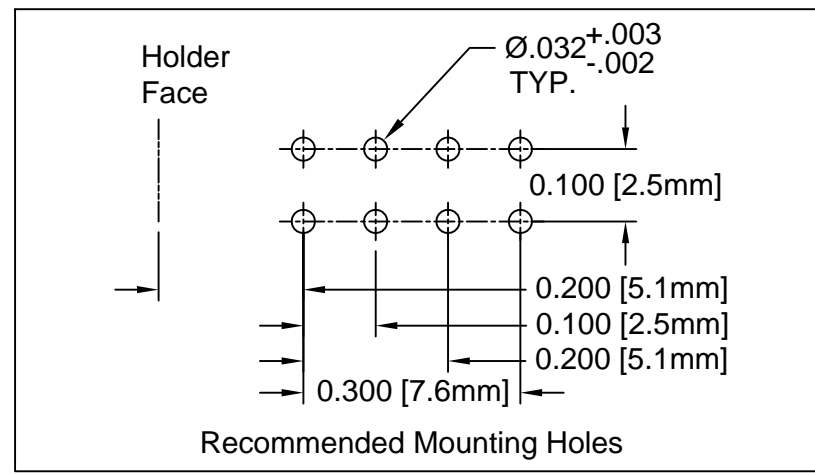
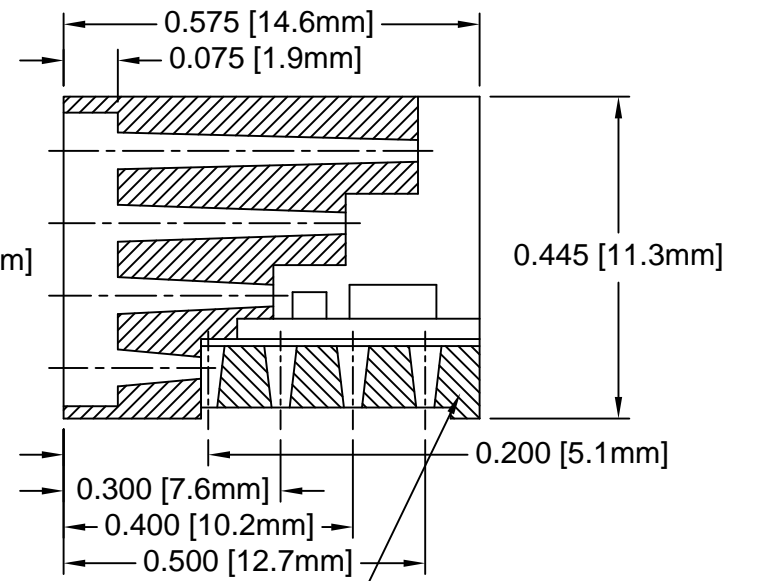
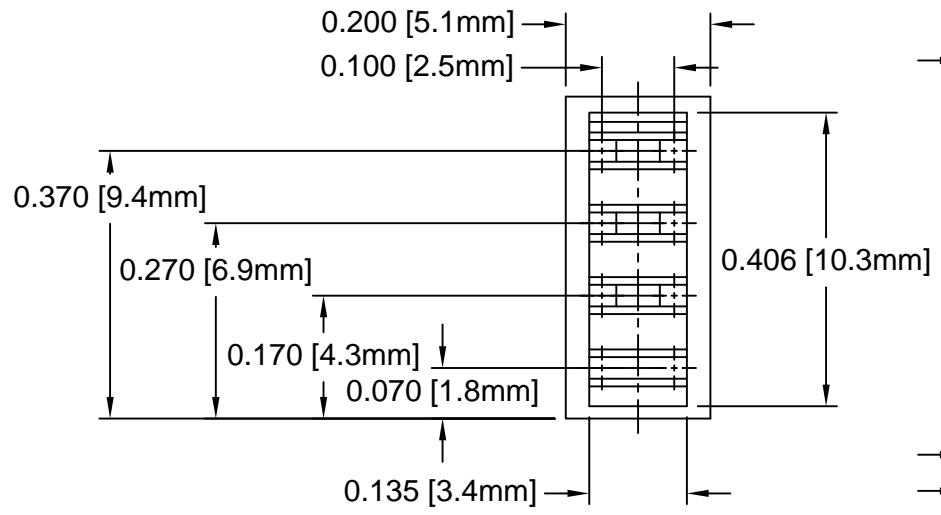

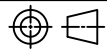


REV.	DESCRIPTION	DATE	APPROVED
B	Engineering Update w/o Changes	02/27/04	M. C.
C	Removed Material Code & Updated Title	05/28/16	J. C.



- 2. MATERIAL: NYLON 6/6, 94V-0, BLACK.
- 1. GENERAL SPECIFICATIONS: BIVAR MOLDED COMPONENT SPECIFICATION BV00-E101.

STANDARD TOLERANCE (UNLESS OTHERWISE SPECIFIED)		 4 THOMAS, IRVINE, CA. 92618 TEL: (949) 951-8808 FAX: (949) 951-3974	
DECIMALS	ANGULAR		
.X ± .1	X° ± 1°	 <b>TITLE:</b> 2mm 90° QUAD-LEVEL LED HOLDER	
.XX ± .01			<b>DESIGNED:</b> S. Irving
.XXX ± .005			<b>DATE:</b> 02/06/02
<b>DESIGNED:</b> S. Irving	<b>DATE:</b> 02/06/02	<b>PART NO:</b> H-441C	<b>REVISION:</b> C
<b>CHECKED:</b> M. Chen	<b>DATE:</b> 02/06/02	<b>CAGE CODE :</b> 32559	<b>SHEET # 1 OF 1</b>
CAD GENERATED DOCUMENT. DO NOT MEASURE DRAWING.			