

THE INFORMATION CONTAINED HEREIN IS CONSIDERED "PROPRIETARY" TO BEL FUSE INC. AND SHALL NOT BE COPIED, REPRODUCED OR DISCLOSED WITHOUT THE WRITTEN APPROVAL OF BEL FUSE INC.

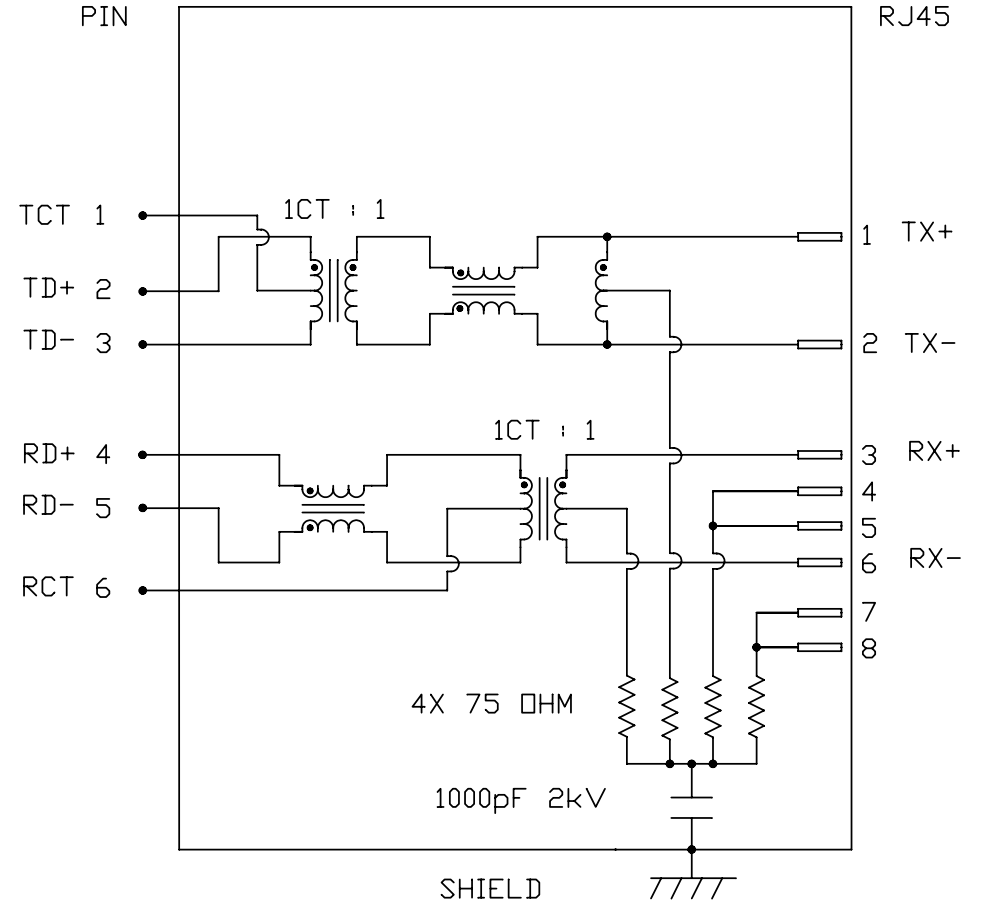
RoHS



ELECTRICAL CHARACTERISTICS @ 25°C

TURNS RATIO	
TX	1CT : 1
RX	1CT : 1
□CL @ 100kHz/100mVRMS	350μH MIN.
8mA DC BIAS	
INS. LOSS	
1MHz TO 100MHz	-1.0 dB MAX
RET. LOSS (MIN)	
1MHz-30MHz	-18 dB
30MHz-60MHz	-18+20LOG(F/30MHz) dB
60MHz-80MHz	-12 dB
CROSS TALK (TX - RX)	
500kHz-1MHz	-70 dB MIN
10 MHz	-50 dB MIN
30 MHz	-45 dB MIN
50 MHz	-40 dB MIN
100 MHz	-35 dB MIN
CM TO CM REJ	
100kHz-1MHz	-70 dB MIN
10 MHz	-47 dB MIN
30 MHz	-42 dB MIN
60 MHz	-37 dB MIN
100 MHz	-30 dB MIN
CM TO DM REJ	
100kHz-1MHz	-70 dB MIN
10 MHz	-60 dB MIN
30 MHz	-50 dB MIN
60 MHz	-45 dB MIN
100 MHz	-40 dB MIN
HIPDT (Isolation Voltage):	1500 Vrms or 2250VDC
100% OF PRODUCTION TESTED TO COMPLY WITH IEEE 802.3 ISOLATION REQUIREMENTS.	

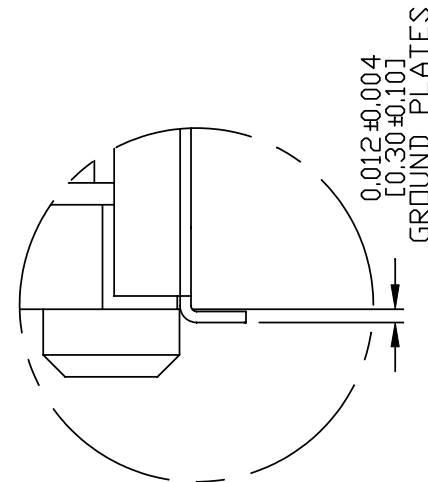
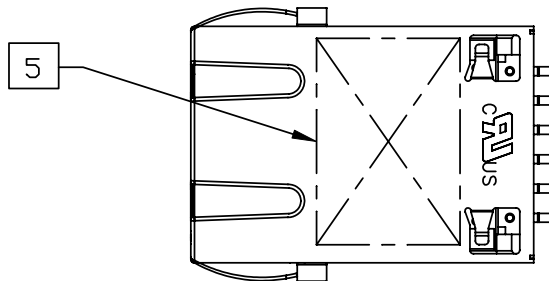
SCHEMATIC



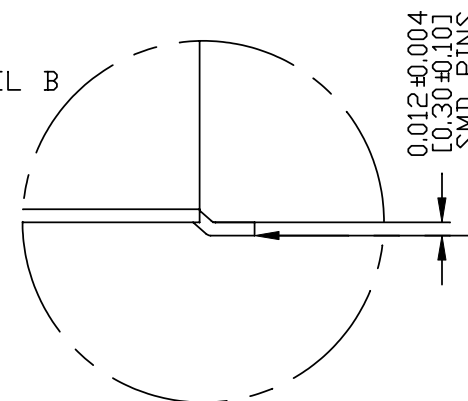
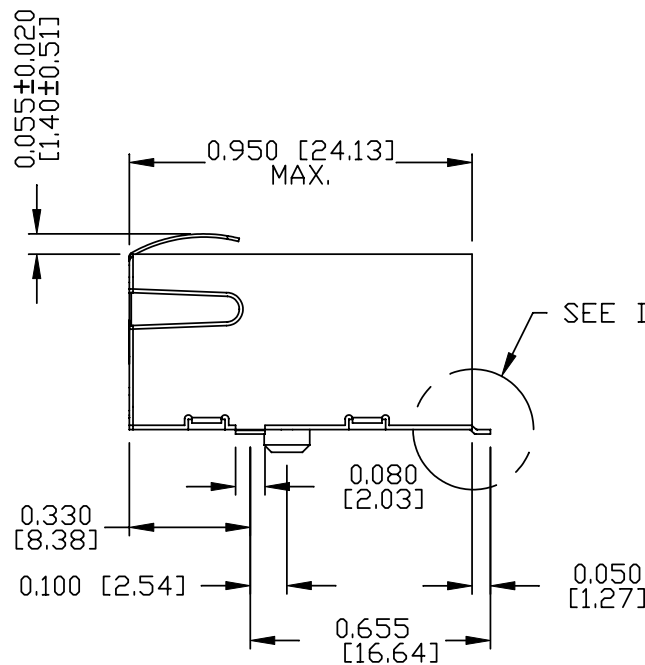
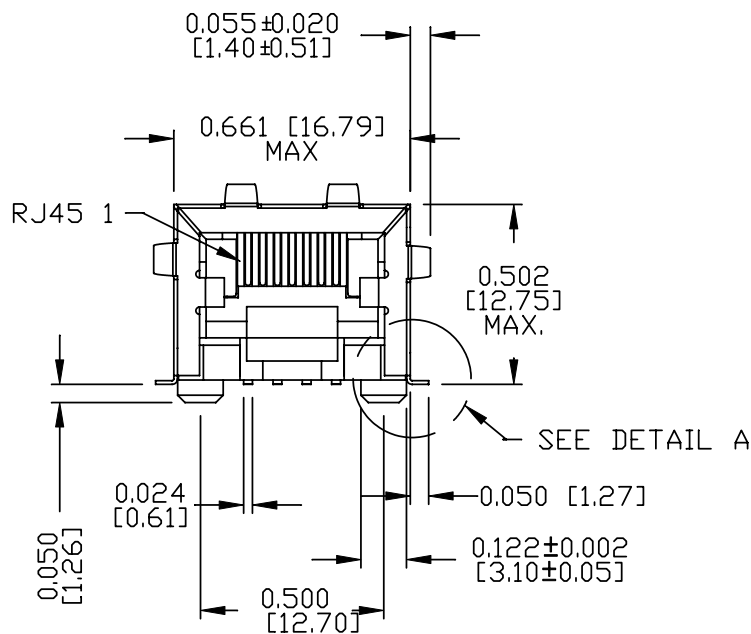
ORIGINATED BY CHOW WANCHUNG	DATE 2012-07-27	TITLE SMD MagJack® (CM Termination) S811-1X1T-A4-F PATENTED	PART NO. / DRAWING NO. S811X1TA4-F	STANDARD DIM. TOL. IN INCH		[] METRIC DIM. AS REFERENCE		bel COMPONENTS FOR A CONNECTED PLANET
				.X		UNIT : INCH [mm]	REV. : D	
DRAWN BY TAN QIGUANG	DATE 2012-07-27		FILE NAME S811X1TA4-F_D.DWG	.XX		SCALE : N/A	SIZE : A4	PAGE : 2
				.XXX				

THE INFORMATION CONTAINED HEREIN IS CONSIDERED "PROPRIETARY" TO BEL FUSE INC. AND SHALL NOT BE COPIED, REPRODUCED OR DISCLOSED WITHOUT THE WRITTEN APPROVAL OF BEL FUSE INC.

RoHS



DETAIL A
SCALE 3:1



DETAIL B
SCALE 3:1

	0.006
	0.006

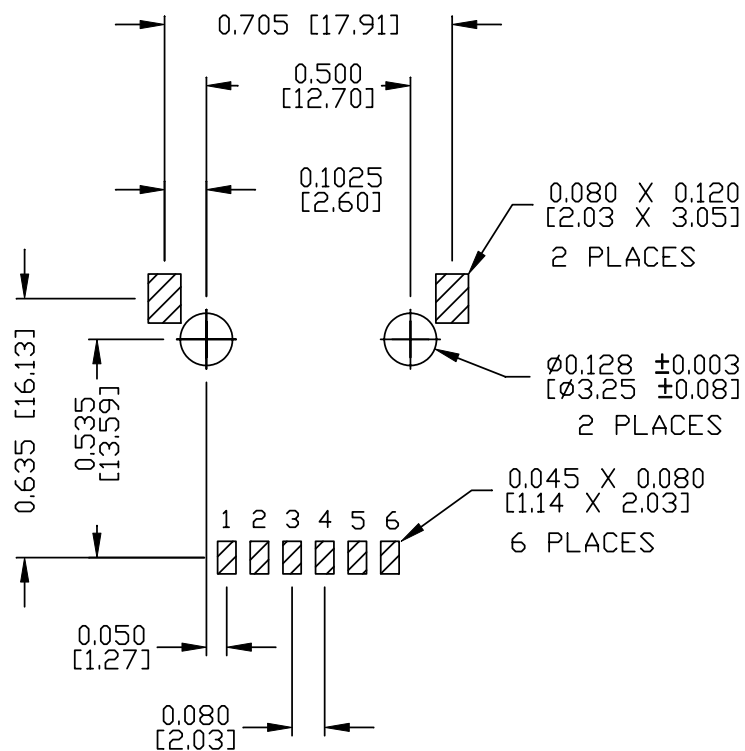
ORIGINATED BY ANTON LIAO	DATE 2012-07-28	TITLE SMD MagJack © (CM Termination) S811-1X1T-A4-F PATENTED	PART NO. / DRAWING NO. S811X1TA4-F	STANDARD DIM. TOL. IN INCH	[] METRIC DIM. AS REFERENCE	 COMPONENTS FOR A CONNECTED PLANET
DRAWN BY HE ZHEN	DATE 2012-07-28		FILE NAME S811X1TA4-F_D.DWG	.X .XX .XXX ±0.010	UNIT : INCH [mm] SCALE : N/A 	

THE INFORMATION CONTAINED HEREIN IS CONSIDERED "PROPRIETARY" TO BEL FUSE INC. AND SHALL NOT BE COPIED, REPRODUCED OR DISCLOSED WITHOUT THE WRITTEN APPROVAL OF BEL FUSE INC.

RoHS



RECOMMENDED PCB FOOTPRINT
COMPONENT SIDE VIEW



NOTES:

1. PLASTIC HOUSING: THERMOPLASTIC PA & THERMOSET PHENOLIC. FLAMMABILITY RATING UL 94V-0
2. CONTACTS PLATING: 50 MICRO-INCH HARD GOLD PLATING OR EQUIVALENT.
3. PINS: TIN-COATED COPPER WIRE, 0.024 [0.6] X 0.012 [0.3] THK,
4. METAL SHIELD: NICKEL PLATED ON COPPER ALLOY.
5. MARK PART WITH MFG. LOGO, MFG. NAME, PART NUMBER, DATE CODE AND PATENTED.
6. JACK CAVITY CONFORMS TO FCC RULES AND REGULATIONS.
7. THE PRODUCT IS RoHS COMPLIANT.
8. THE PRODUCT IS PATENT PRODUCT. THE PATENT NUMBER IS U.S. PAT. 5,736,910.


 UL RECOGNIZED - FILE #E196366 AND E169987.

ORIGINATED BY ANTON LIAO	DATE 2012-07-28
DRAWN BY HE ZHEN	DATE 2012-07-28

TITLE SMD MagJack ® (CM Termination) S811-1X1T-A4-F PATENTED
--

PART NO. / DRAWING NO. S811X1TA4-F
FILE NAME S811X1TA4-F_D.DWG

STANDARD DIM. TOL. IN INCH	
.X	
.XX	
.XXX	±0.004

[] METRIC DIM. AS REFERENCE	
UNIT : INCH [mm]	REV. : D
SCALE : N/A	SIZE : A4
	PAGE : 4

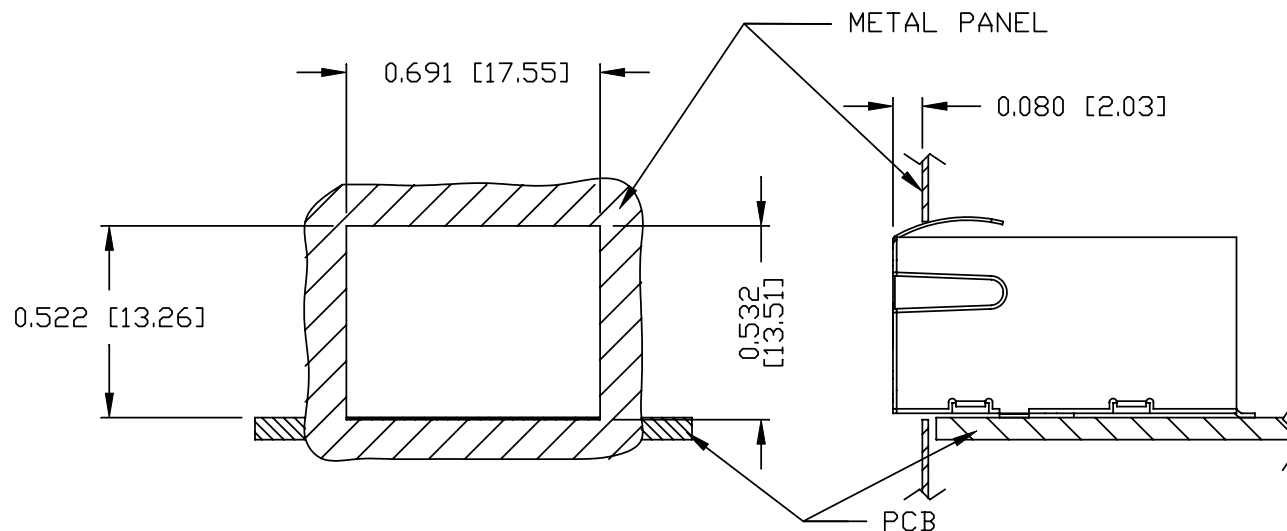


THE INFORMATION CONTAINED HEREIN IS CONSIDERED 'PROPRIETARY' TO BEL FUSE INC. AND SHALL NOT BE COPIED, REPRODUCED OR DISCLOSED WITHOUT THE WRITTEN APPROVAL OF BEL FUSE INC.

RoHS



SUGGESTED PANEL OPENING



NOTES:

THE DISTANCE OF PANEL INSIDE SURFACE RELATIVE TO FRONT SURFACE OF PART IS ONLY A SUGGESTION.

IN CASE THIS DISTANCE IS DIFFERENT, THE REQUIRED PANEL OPENING DIMENSIONS CHANGE ACCORDINGLY.

ORIGINATED BY ANTON LIAO	DATE 2012-07-28	TITLE SMD MagJack © (CM Termination) S811-1X1T-A4-F PATENTED	PART NO. / DRAWING NO. S811X1TA4-F	STANDARD DIM.		[] METRIC DIM. AS REFERENCE		 COMPONENTS FOR A CONNECTED PLANET
				TOL. IN INCH		UNIT : INCH [mm]	REV. : D	
DRAWN BY HE ZHEN	DATE 2012-07-28		FILE NAME S811X1TA4-F_D.DWG	.X		SCALE : N/A	SIZE : A4	PAGE : 5
				.XX				
				.XXX	±0.004			