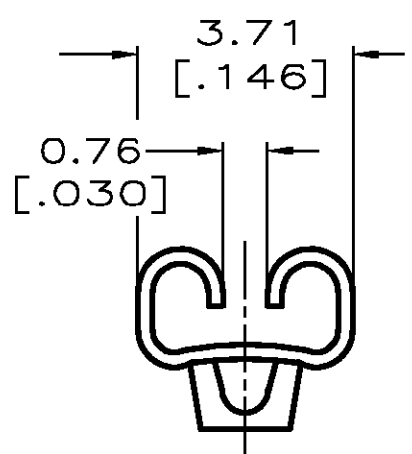
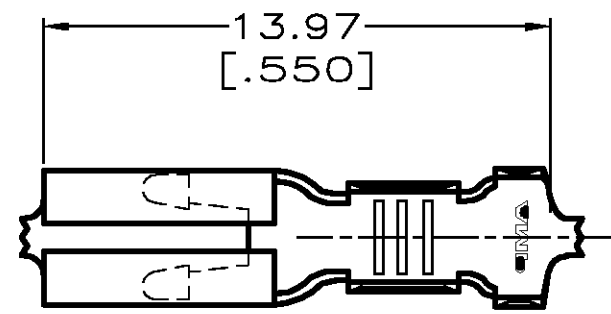


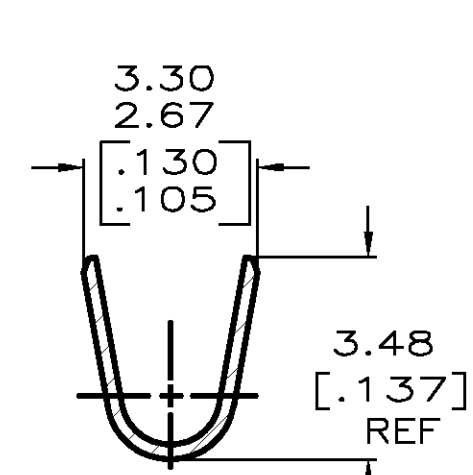
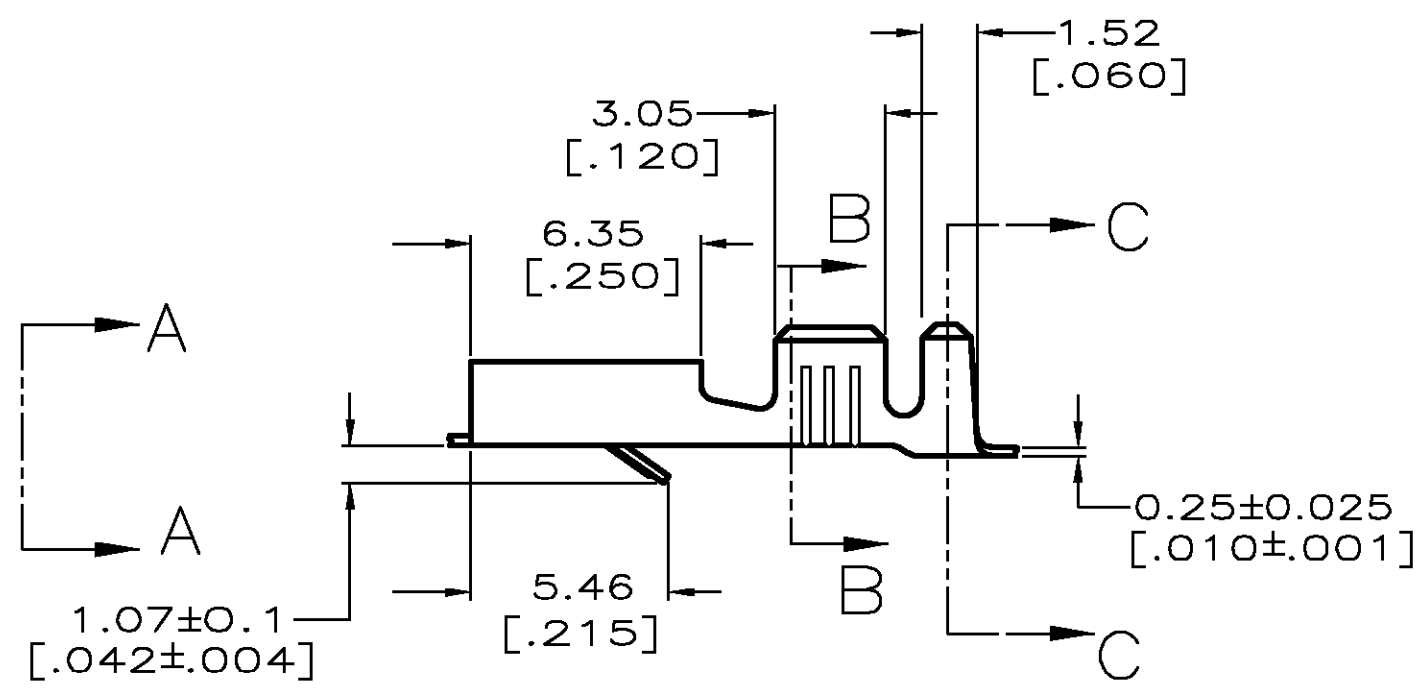
THIS DRAWING IS UNPUBLISHED. RELEASED FOR PUBLICATION .10
 © COPYRIGHT 19 BY AMP INCORPORATED. ALL RIGHTS RESERVED.

LOC	DIST	REVISIONS			
P	LTR	DESCRIPTION	DATE	DWN	APVD
AF	50	H	REL PER 0G3A-0547-02	12DEC02	JR ND

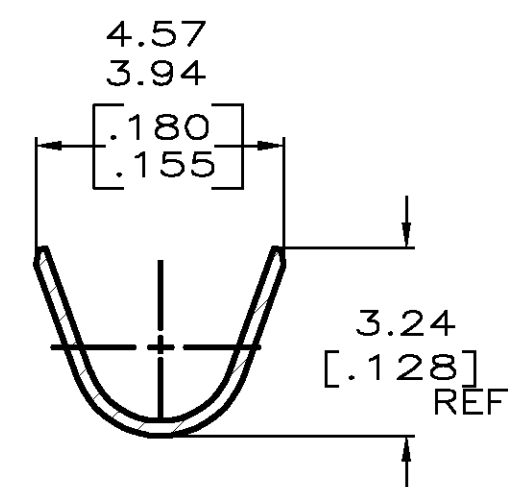


VIEW A-A
SCALE 8:1

- 1 CONTINUOUS STRIP ON REELS.
- 2 MATING TAB THK TO BE 0.81±0.025 [0.032±.001].
- 3 WIRE SIZE IS [#18-#14] AWG.
- 4 INSULATION RANGE IS 1.52-2.79 [0.060-.110] DIA.
- △ 5 PRELIMINARY - NOT FOR PRODUCTION



SECTION B-B
SCALE 8:1



SECTION C-C
SCALE 8:1

	0.00381 [0.000150] MIN SILVER	△ 1217321-3
	PRE-TIN	1217321-2
OBSOLETE	0.002032 [0.000080] MIN TIN	1217321-1
	FINISH	PART NO.

THIS DRAWING IS A CONTROLLED DOCUMENT.		DWN JR RUTH 20JAN00	AMP AMP Incorporated Harrisburg, PA 17105-3608	
DIMENSIONS: MM [INCHES]		CHK MS FEHER 20JAN00		
TOLERANCES UNLESS OTHERWISE SPECIFIED:		APVD D BRATINA 20JAN00	NAME RECEPTACLE, FASTIN-FASTON, 2.79 [0.110] SERIES	
0 PLC ±-		PRODUCT SPEC	SIZE	
1 PLC ±-		APPLICATION SPEC	CAGE CODE	
2 PLC ±0.38 [0.015]		114-2065	DRAWING NO	
3 PLC ±-		WEIGHT	RESTRICTED TO	
4 PLC ±-		-	A3 00779 C-1217321	
ANGLES ±-		CUSTOMER DRAWING	SCALE 5:1	
MATERIAL H04 BRASS		FINISH SEE TABLE	SHEET 1 OF 1	
			REV H	