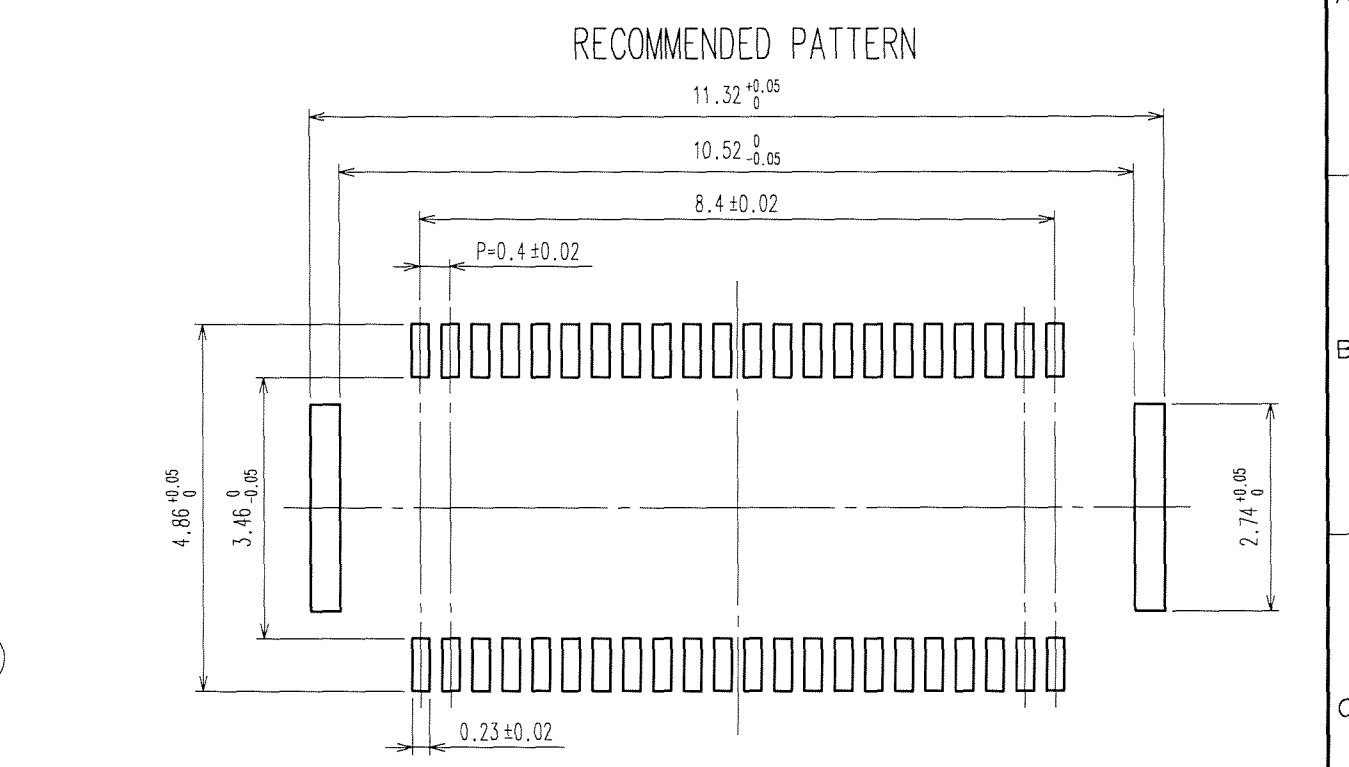
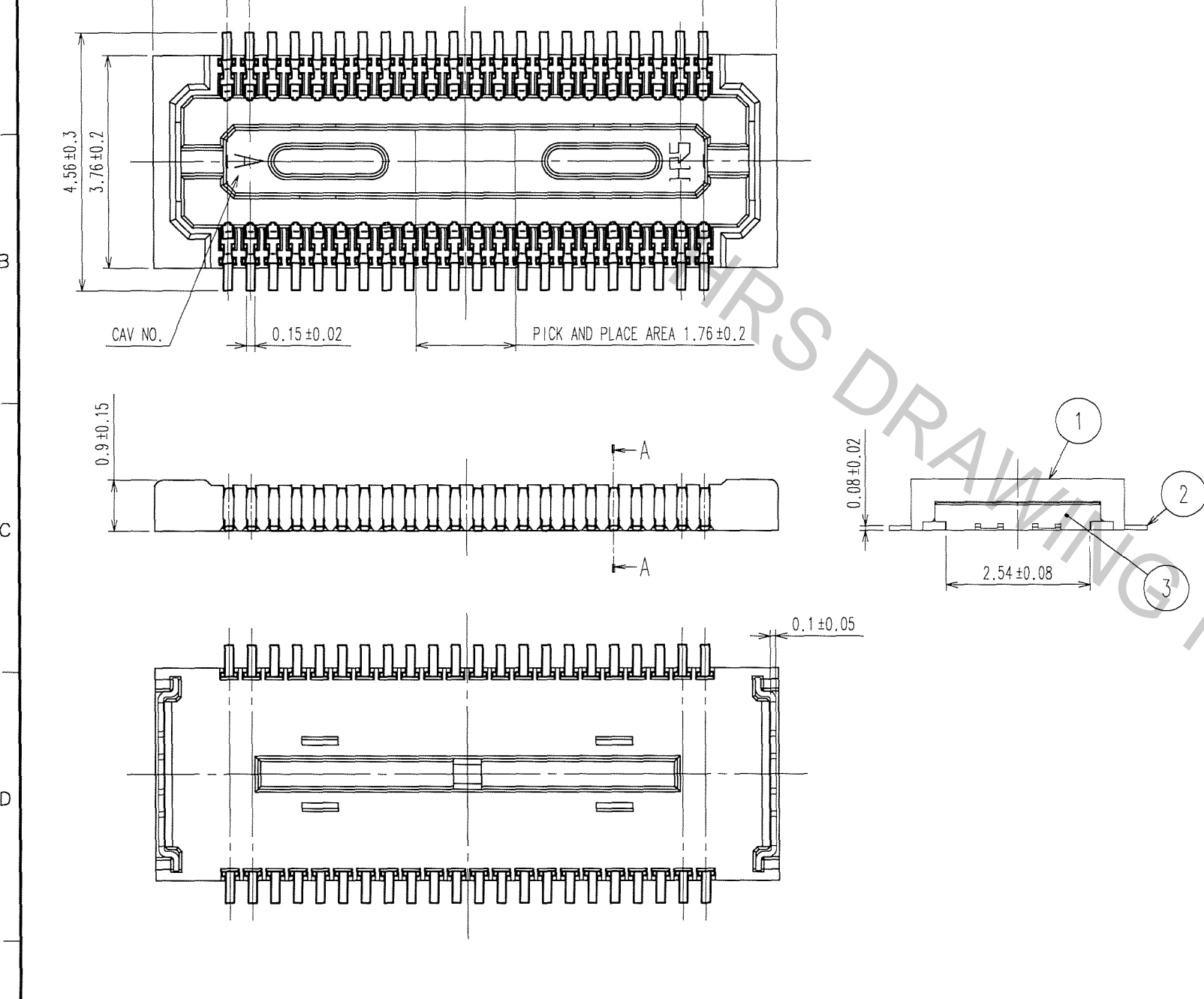
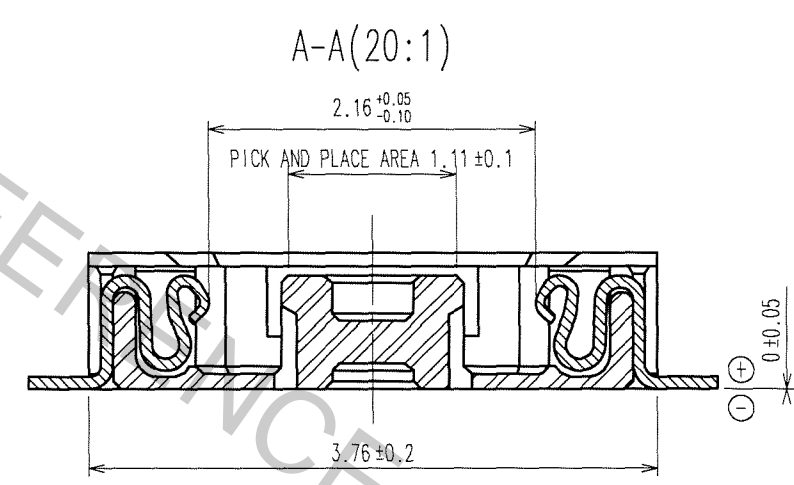


Apr.1.2017 Copyright 2017 HIROSE ELECTRIC CO., LTD. All Rights Reserved.

5		6			7			8		
COUNT	DESCRIPTION OF REVISIONS	BY	CHKD	DATE	COUNT	DESCRIPTION OF REVISIONS	BY	CHKD	DATE	
△					△					
△					△					
△					△					



RECOMMENDED SOLDER PASTE THICKNESS : 120μm



- NOTE 1. ALL LEADS CO-PLANARITY SHALL BE 0.1 MAX.
 2. PER REEL : 5000 CONNECTORS.
 3. AT THE BEGINNING OF THE REEL, 100 mm AT MIN SHALL BE EMPTY POCKETS.
 AT THE END OF THE REEL, 160 mm AT MIN SHALL BE EMPTY POCKETS.
 4 CONTACT PLATING SPECIFICATIONS.
 CONTACT AREA : GOLD 0.05μm MIN.
 SMT LEAD : GOLD 0.02μm MIN.
 UNDERPLATING : NICKEL 1μm MIN.
 (SURFACE : SEALING)
 5 METAL HOLD DOWN PLATING SPECIFICATIONS.
 MOUNTING AREA : TIN 1μm MIN.
 UNDERPLATING : NICKEL 1μm MIN.

TO

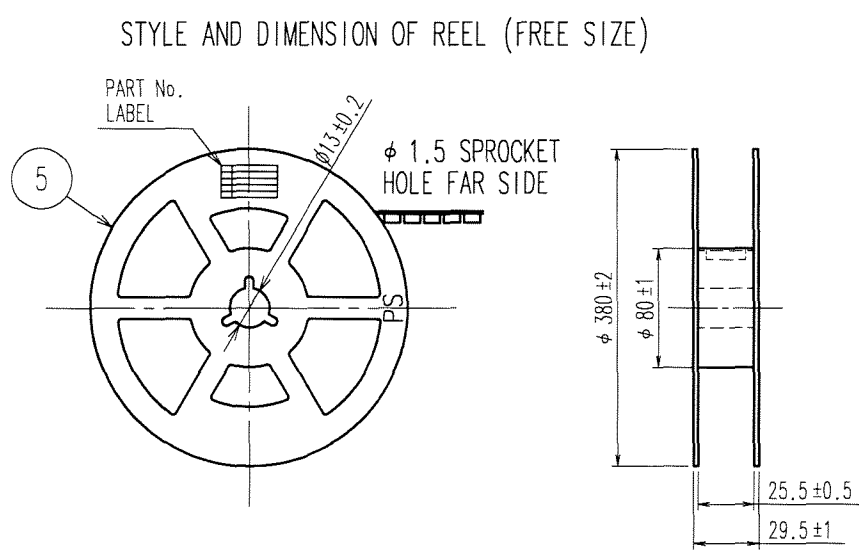
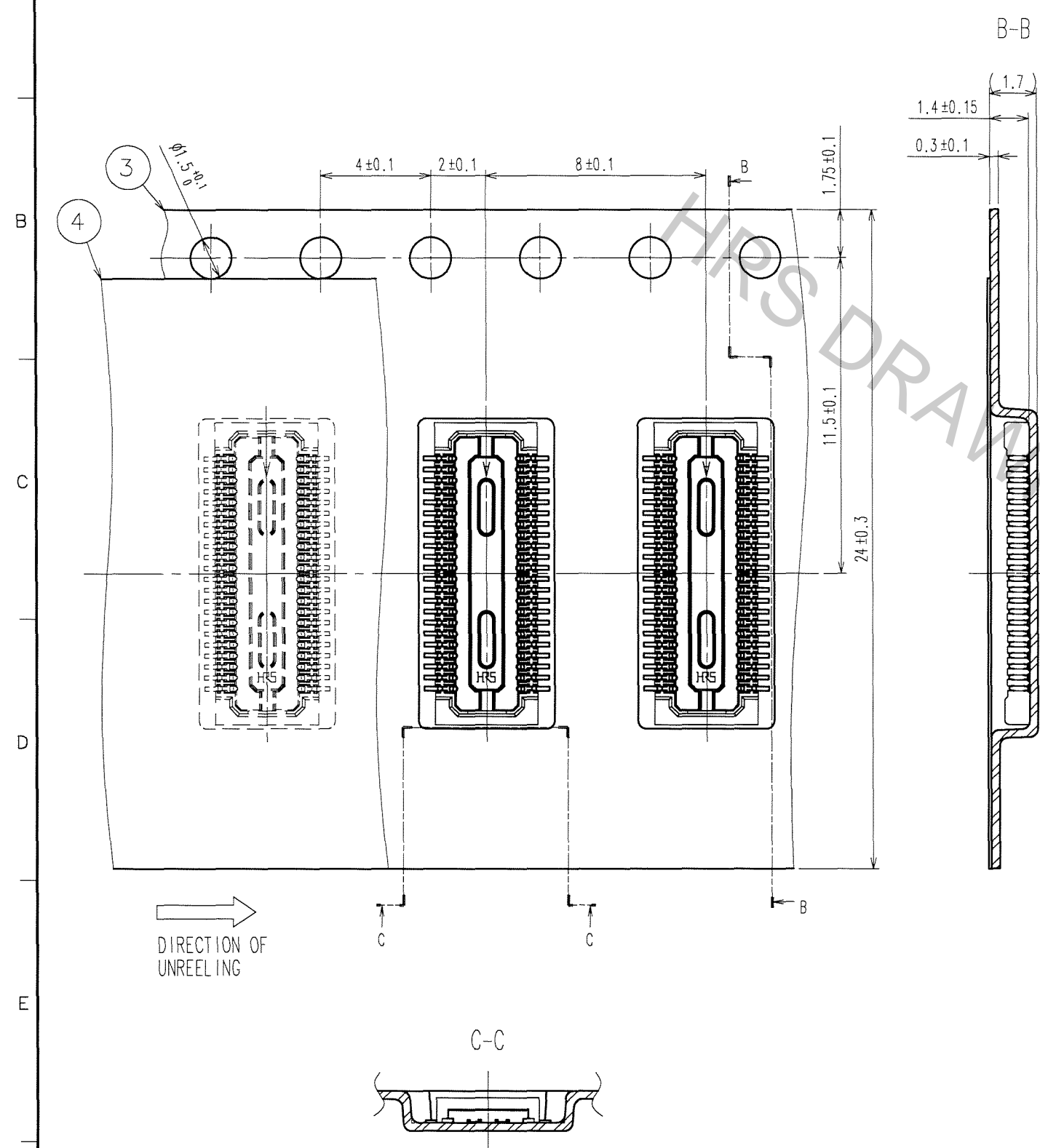
NO.	MATERIAL	FINISH, REMARKS	NO.	MATERIAL	FINISH, REMARKS
3	PHOSPHOR BRONZE	5	6	PS	PLASTIC REEL(BLACK)
2	PHOSPHOR BRONZE	4	5	POLYESTER	CLEAR(CAVER TAPE)
1	LCP	UL94V-0, BLACK	4	PS	CLEAR(EMBOSSD CARRIER TAPE)

CODE NO.(OLD)	DRAWN	DESIGNED	CHECKED	APPROVED	RELEASED
	N.Sato	T.Yamanote	T.Miyazaki	M.Nakamura	
	'07.05.10	07.5.10	07.05.10	07.05.11	

SCALE	DRAWING NO.	PART NO.
10 : 1	EDC3-315941-01	DF30FB-44DS-0.4V(81)
UNITS	HIROSE ELECTRIC CO., LTD	CODE NO.
mm		CL684-1295-4-81

Apr.1.2017 Copyright 2017 HIROSE ELECTRIC CO., LTD. All Rights Reserved.

COUNT	DESCRIPTION OF REVISIONS	BY	CHKD	DATE	COUNT	DESCRIPTION OF REVISIONS	BY	CHKD	DATE



DETAIL OF PART NO. LABEL

SUPPLIER	
QUANTITY	
PART NO.	
CODE NO.	
DATE OF MANUFACTURED	
生産月日	年 月 日
図番	CL684-1295-4-81
品名	DF30FB-44DS-0.4V(81)
納入数量	5000個
納入者	ヒロセ電機(株)

TO

CODE NO. (OLD)	DRAWN	DESIGNED	CHECKED	APPROVED	RELEASED
	N.Sato	J. Yamamoto	T. Miyajishi	M. Kobayashi	
	'07.05.10	07.5.10	07.05.10	07.05.11	
SCALE	DRAWING NO.	PART NO.			
5 : 1	EDC3-315941-01	DF30FB-44DS-0.4V(81)			
UNITS	HIROSE ELECTRIC CO., LTD	CODE NO.	CL684-1295-4-81		
mm			2		