

THIS DRAWING IS UNPUBLISHED.

RELEASED FOR PUBLICATION

ALL RIGHTS RESERVED.

© COPYRIGHT - By -

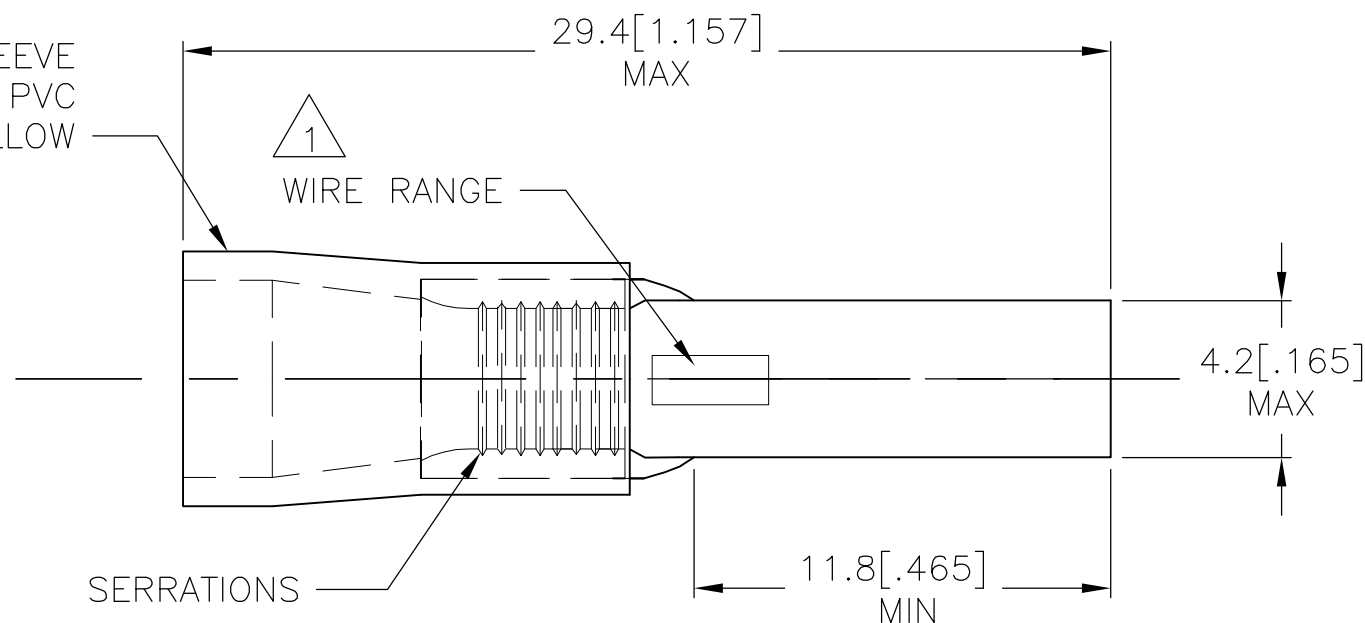
LOC
G

DIST
02

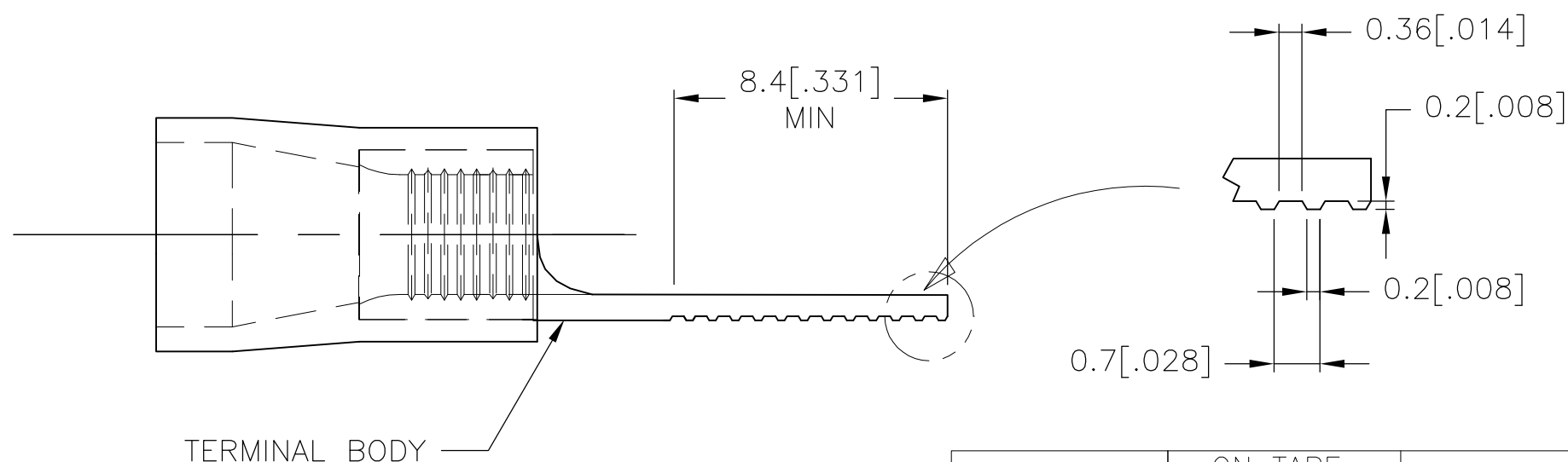
REVISIONS

P	LTR	DESCRIPTION	DATE	DWN	APVD
	B3	REVISED PER ECO-11-020548	02FEB12	KH	DR


INSULATION SLEEVE
MATERIAL: PVC
COLOR: YELLOW



- 1 WIRE SIZE IS 12-10 AWG
- 2 WIRE INSULATION DIA: 3.8[.149]-6.4[.252]
- 3 MATERIAL THICKNESS IS 0.80±0.05[.031±.002]
- 4 600 VOLT MAX
- 5 CIRCULAR MIL AREA:
5,180-13,100 (2.62mm²-6.63mm²)



OBSOLETE	ON TAPE, REEL	STANDARD	3000	2-131445-1
	PLASTIC BAG	STANDARD	500	131445
	PACKAGING	LABELLING	QTY	PART NO

THIS DRAWING IS A CONTROLLED DOCUMENT.		DWN jr_ruth 29MAR06	 TE Connectivity NAME TERMINAL, PIN, PLASTI-GRIP,				
DIMENSIONS: mm [INCHES]		CHK T MICHIELUTTI 29MAR06					
TOLERANCES UNLESS OTHERWISE SPECIFIED:		APVD T MICHIELUTTI 29MAR06					
0 PLC ± - 1 PLC ± 0.5[.02] 2 PLC ± - 3 PLC ± - 4 PLC ± - ANGLES ± 1°		PRODUCT SPEC -					
MATERIAL COPPER PER ASTM B152	FINISH TIN PLATE PER ASTM B545	APPLICATION SPEC -	WEIGHT -	SIZE A3	CAGE CODE 00779	DRAWING NO C-131445	RESTRICTED TO -
CUSTOMER DRAWING				SCALE 5:1	SHEET 1 OF 1	REV B3	