

1 2 3 4 5 6

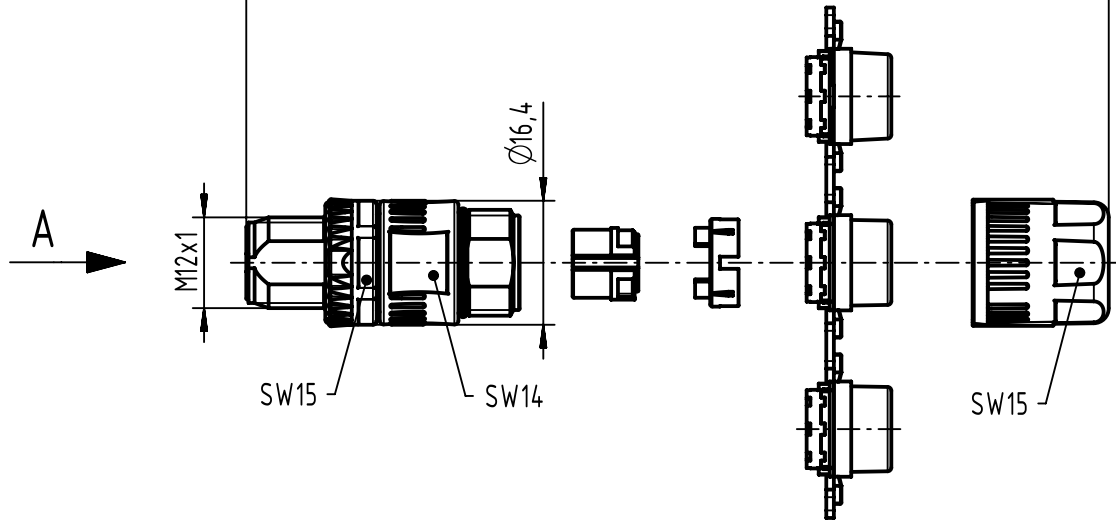
A

B

C

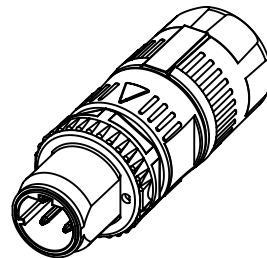
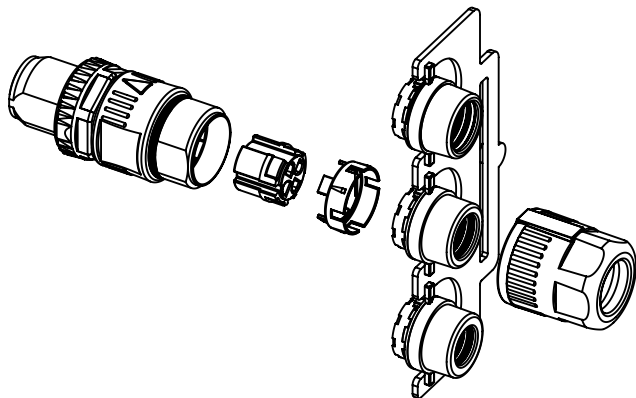
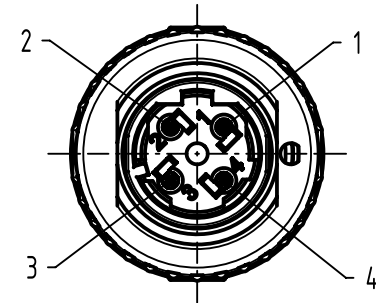
D

complete length when assembled app. 46mm




A (2:1)

contact face acc. to
IEC 61076-2-101



conductor cross section	AWG22
cable outside diameter	5.7 - 8.8mm

	All Dimensions in mm Original Size DIN A4	Scale	Free size tol.			Ref.
		1:1				Sub. TB 21033821400 / 500000126041 / 2017-09-28
All rights reserved Department EC PD - DE	HARTING Electronics GmbH D-32339 Espelkamp	Created by	Inspected by	Standardisation	Date	State
		BUSSMANTT	GENAU	HOFFMANN	2018-01-18	Final Release
Title					Doc-Key / ECM-Nr.	
M12-SD-CC-IDC-4P-DCOD-M-STR-SHLD					100663539/UGD/001/E 500000130069	
Type		Number		Rev.		Page
TB		21033821400		E		1/1