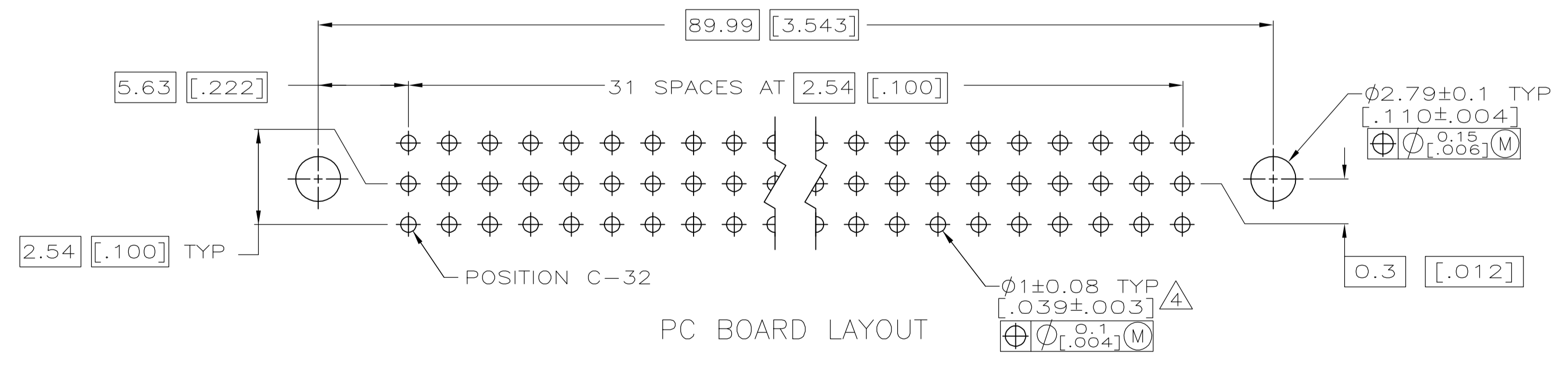
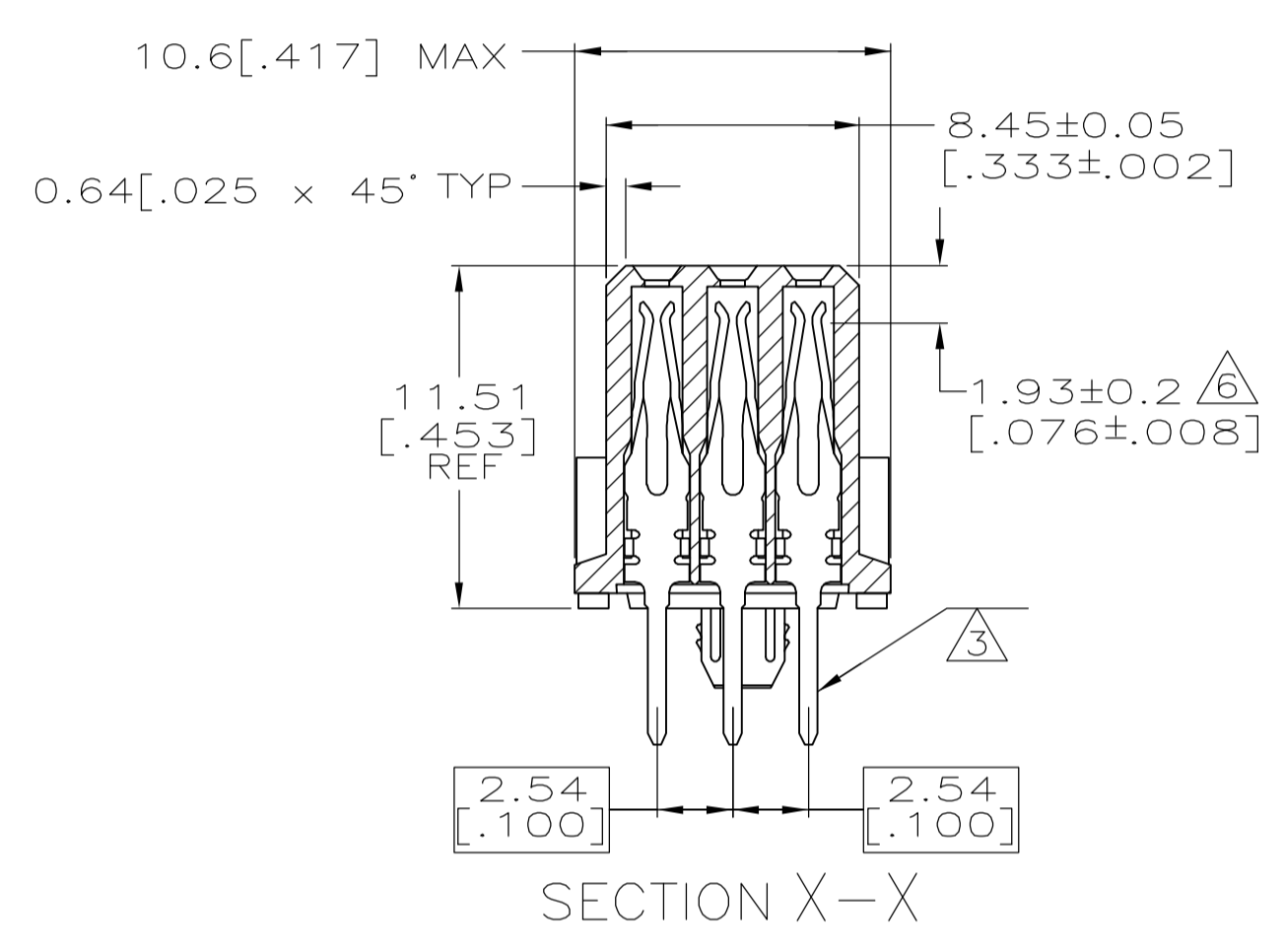
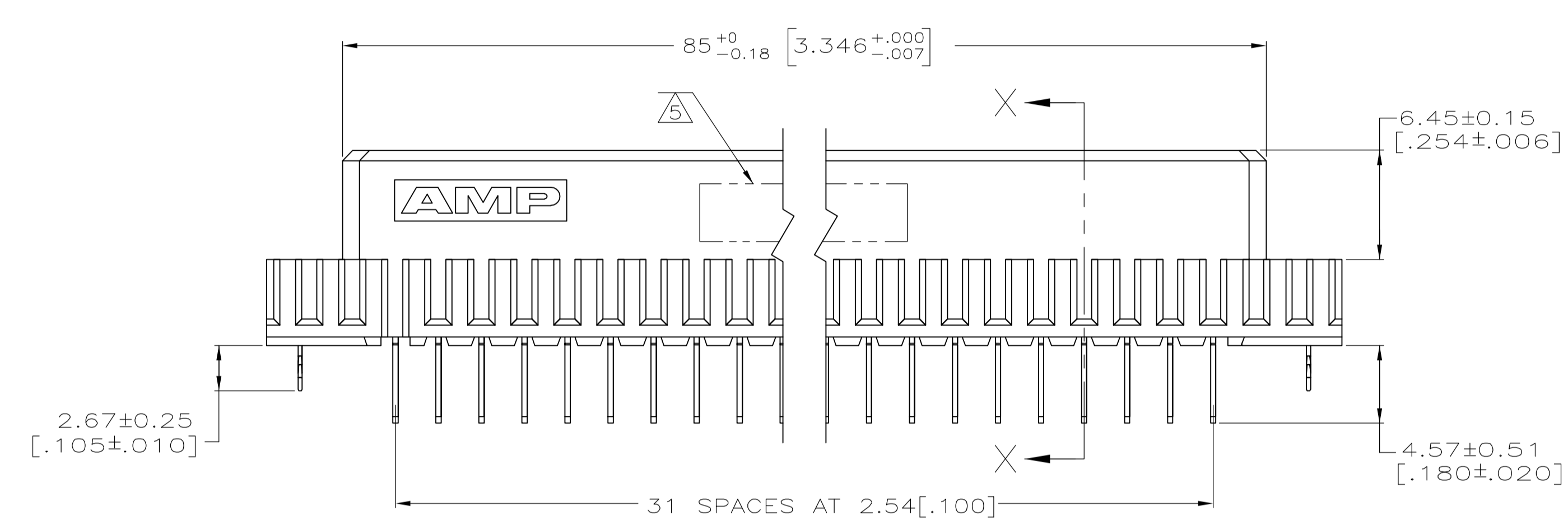
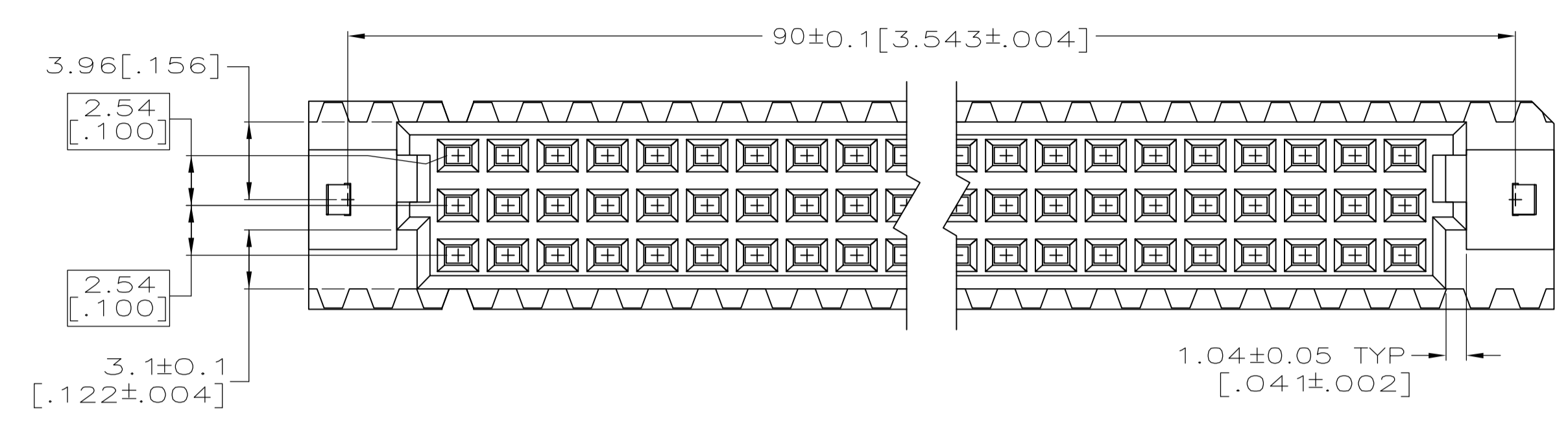


- ① HOUSING MATERIAL: GLASS-FILLED POLYMER.
- ② CONTACT MATERIAL: COPPER ALLOY.
- ③ CONTACT FINISH: DIN 41612 CLASS 2 IN CONTACT AREA. TIN PLATE ON POSTS.
- ④ RECOMMENDED HOLE SIZE FOR MANUAL APPLICATION OF CONNECTOR ONTO PC BOARD.
- ⑤ PART NUMBER, DATE CODE IDENTIFICATION, CSA LOGO IN THIS APPROXIMATE AREA, ON REVERSE SIDE.
- ⑥ CONTACT POINT.



1-32	C	32	5536412-4
1-32	B	32	
1-32	A	32	
POSITIONS LOADED	ROWS	NO. OF LOADED POSITION	ASSY PART NUMBER

THIS DRAWING IS A CONTROLLED DOCUMENT.

DIMENSIONS: mm [INCHES]	TOLERANCES UNLESS OTHERWISE SPECIFIED:	0 PLC ± -	1 PLC ± -	2 PLC ± 0.13[.005]	3 PLC ± -	4 PLC ± -	ANGLES ± -
MATERIAL		FINISH		WEIGHT		SIZE	
①/②		③		A1 00779		DRAWING NO. 5536412	
CUSTOMER DRAWING		SCALE 4:1		SHEET 1 OF 1		REV 0	

DIN J. POLIGNONE 27MAY05
 CHK A. SHARPE 27MAY05
 APVD A. SHARPE 27MAY05
 Tyco Electronics Corporation
 Harrisburg, Pa 17105-3608
 NAME ASSEMBLY, RECEPTACLE, EUROCARD, TYPE C, LEAD-FREE, 96 POSITION, 4.57[.180] SOLDER POSTS WITH BOARD-LOCKS
 APPLICATION SPEC
 DRAWING NO. 5536412