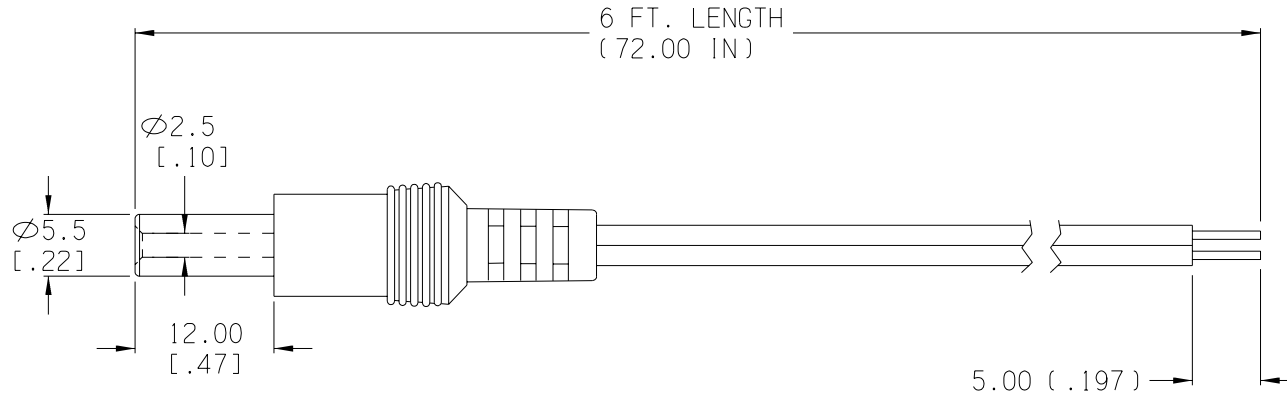



| Date | SYM | REVISION RECORD | AUTH | DR. | CK. |
|------|-----|-----------------|------|-----|-----|
| | | | | | |
| | | | | | |
| | | | | | |
| | | | | | |



HOUSING: BLACK ABS
 CORD: UL2468, 300V, 80°C, 18 AWG
 PASSES UL FLAME TEST VW-1
 CENTER IS POSITIVE CONTACT
 DC MOLDED PLUG: 2.5mm X 5.5mm
 VOLTAGE: 300V
 CURRENT RATING: 10A

| | | | |
|---------------------------|---|----------------------------|-----------------------------------|
| Tolerance (Inches) |  Memory Protection Devices, Inc. 200 Broad Hollow Road, Farmingdale, New York 11735 | | |
| Decimal ±.5 (.020) | | Scale | Drawn By B.S. Approved By T.B. |
| Fractional ± .8 (.030) | Title 2.5mm DC MOLDED PLUG WITH 6' WIRE LEADS | | |
| Angular ± 3° | Date 11/02/02 | Drawing Number 172-4201 | |