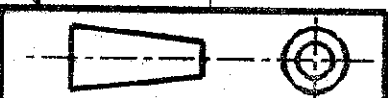
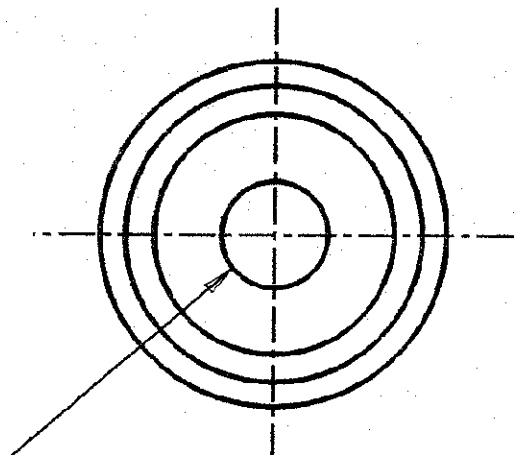


DO NOT SCALE

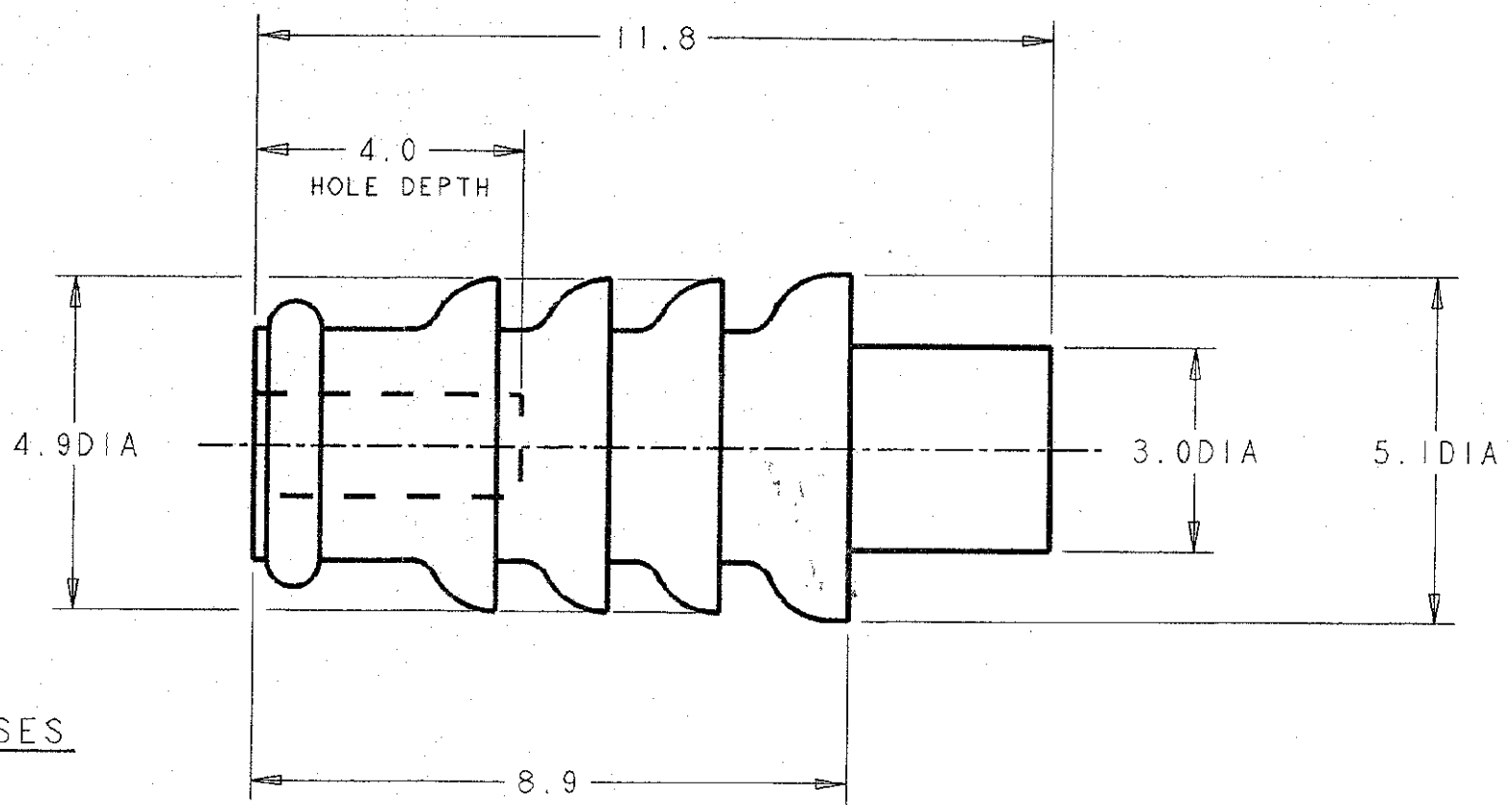
DIMENSIONS IN MM.




AMP



HOLE: 1.5 DIA FOR TOOLING PURPOSES



THIS PLUG IS SUITABLE FOR BLANKING OFF UNUSED CAVITIES IN ECONOSEAL 3 LOW CURRENT CONNECTORS.

GREY SELF-LUBRICATING SILICONE RUBBER		348461-1	
FINISH	MATERIAL	PART NUMBER	
CUSTOMER DWG FOR REFERENCE ONLY		© COPYRIGHT 1993 BY AMP OF GREAT BRITAIN LTD. ALL INTERNATIONAL RIGHTS RESERVED. ALL PRODUCTS MAY BE COVERED BY BRITISH AND FOREIGN PATENTS AND/OR PATENTS PENDING.	
		DR. R.J.S.	22.9.93
		CH. K.W.	APP. J.P.
		 TERMINAL HOUSE STANMORE MIDDX.	
A RELEASED		NAME	
2 TOOLING HOLE ADDED		CAVITY REAR PLUG ECONOSEAL 3 LOW CURRENT	
1 PRELIM. ISSUE		SCALE	LOC
REV	MODIFICATION	CHANGE No.	DATE
		10/1	E
		A 3	
		C348461	
		REV	SHEET
		A	1/1

C.A.D. FILE CODE
S. C348461 A